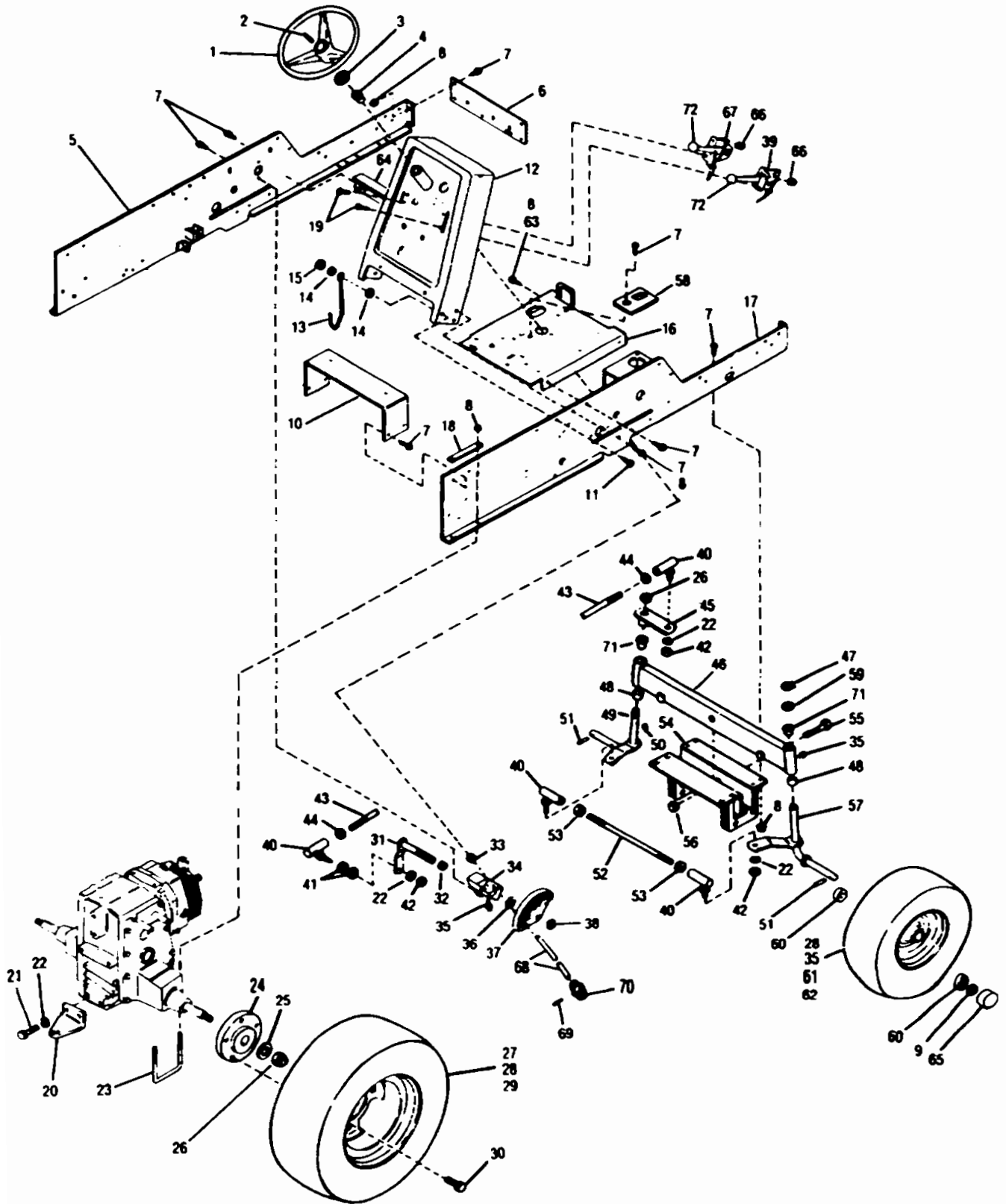


MODEL 1668R

REF. NO.	PART NO.	DESCRIPTION	NO. REQ'D	REF. NO.	PART NO.	DESCRIPTION	NO. REQ'D
1	1756846	Seat	1	31	1756722	Instr. Panel Decal	1
2	1734115 010	Seat Support	1	32	1186329	Fl. Lock Screw 5/16-18 x 3/4	2
3 •	1100256	Flat Washer, 3/8	4				
4	1734269	Adjusting Knob	2	33	1757240	L.H. Hood Decal	1
5	1753022	Spring	1	34	1757241	R.H. Hood Decal	1
6	1735125	Nut and Washer	1	35 •	1107382	Flat Washer 5/16	10
7 •	1186229	Nut 1/4-20	1	36	1742100 041	Grille Screen	1
8 •	1100241	Flat Washer 1/4	1	37	1736399	Flange Locknut	4
9	1734515	Actuator Bracket	1	38 •	1100799	Hex Hd. Screw 5/16-18 x 1-1/2	4
10 •	1110107	Locknut 5/16-18	4				
11 •	1185418	Flat Washer 7/32	6	39	1726932	Trim	1
12 •	1100046	Hex Screw 3/8-16 x 1	1	40	1753901	Reflector	2
13 •	1100362	Cotter Pin 3/32 x 1/2	1	41	1186393	Flange Locknut 3/8-16	6
14	1734214	Screw 5/16-18 x 1	1	42	1736565 010	Foot Rest L.H.	1
15	1735265	Swivel Block	2	43	1186345	Fl. Screw 3/8-16 x 3/4	6
16	1748081	Lense	1	44	1736340	Pivot	4
17 •	1186067	Carriage Bolt 1/4-20 x 1/2	1	45	1728072	Push Nut	1
18 •	1186130	Carriage Bolt 3/8-16 x 1-1/4	1	46	1757224	Foot Rest Pad	2
19	1748574 010	Fender Assembly	1	47	1728772	Pop Rivet 3/16 x 1/2	2
20	1736566 010	Foot Rest R.H.	1	48	1727126	Clip	2
21	1748080	Light Cluster Housing	1	49	1727127	Latch	2
22	1748572	Self Thd. Screw 10-16 x 1/2	2	50	1744524 010	Tunnel Assembly	1
23	1749566 041	Hood and Grille	1	51	1739688	Thrd Form Screw 5/16-18 x 5/8	2
24	1757223	Grille Decal	1				
25	1186332	Fl. Lock Screw 5/16-18 x 1-1/4	2	52	1757206	Instruction Decal	1
26	1186391	Fl. Locknut 5/16-18	5	53	1757220	Decal, Hydro.	1
27	1736341	Pivot Rod	1	54	1757221	Decal, Side Panel R.H.	1
28	1757243	Fender Decal R.H.	1	55	1757222	Decal, Side Panel L.H.	1
29	1757242	Fender Decal L.H.	1	56	1757219	Decal, Logo	1
30	1750290	Instr. Decal	1	NI	1757461	Paint, White, 12 oz. Spray Can	1
				NI	1754423	Paint, Red, 12 oz. Spray Can	1

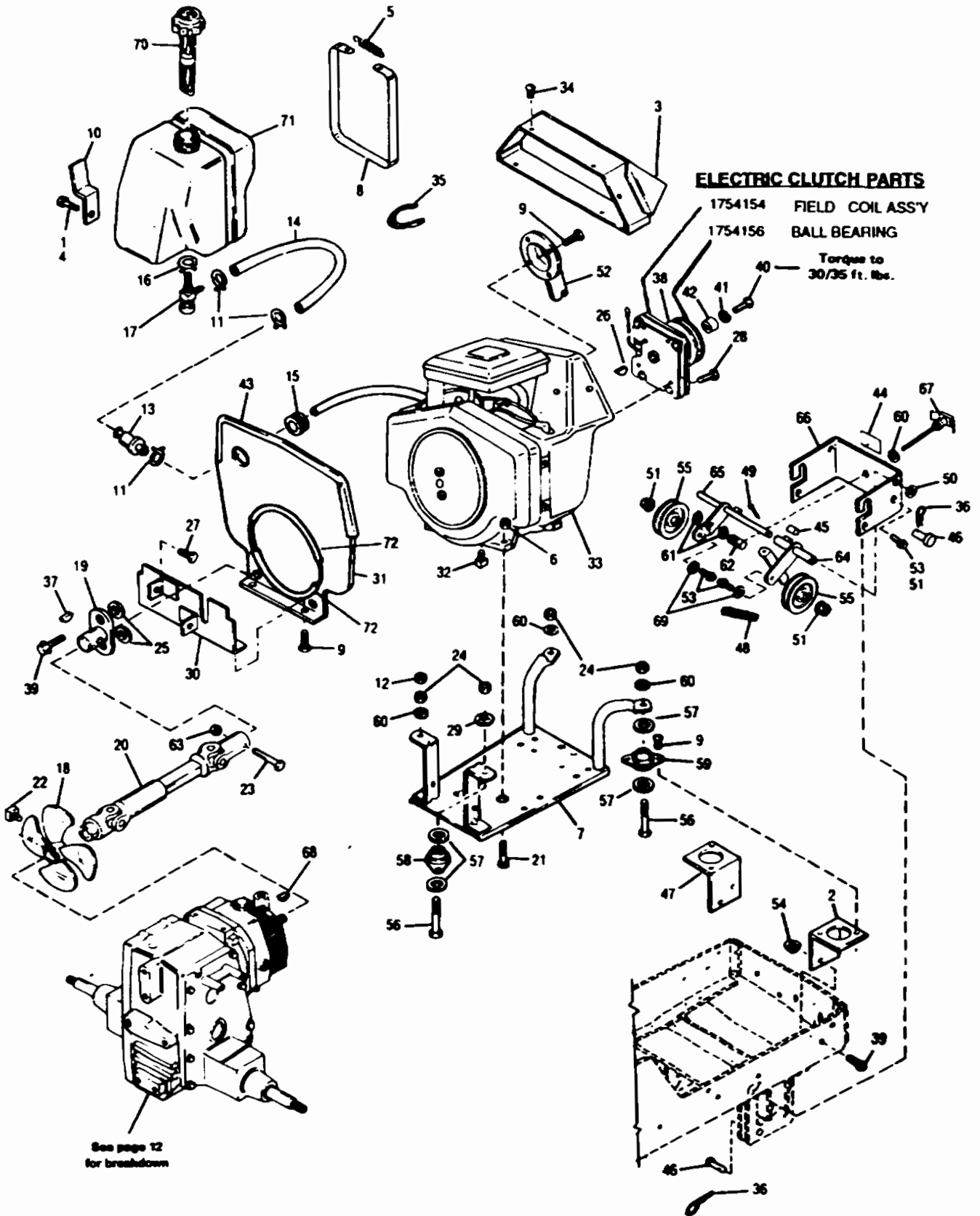
• Common Hardware—Purchase Locally (Grade 5 where applicable)



MODEL 1668R

REF. NO.	PART NO.	DESCRIPTION	NO. REQ'D	REF. NO.	PART NO.	DESCRIPTION	NO. REQ'D
1	1747804	Wheel, Steering	1	36	1733442	Washer, Shim	AR
2	1185279	Pin, Roll 1/4 x 2-1/4	1	37	1733441	Gear, Steering	1
3	1708012	Washer, Flat	AR	38	1185649	Ring, Retaining	1
4	1723994	Bearing, Steering	1	39	1736464	Throttle Control	1
5	1748778 010	Frame Assembly, L.H.	1	40	1713361	Joint, Ball	4
6	1742085 010	Brace	1	41	1738490	Spacer	2
7	1186345	Screw, Fl. Lock 3/8-16 x 3/4	24	42 •	1110152	Nut, Hex Lock-1/2-20	4
8 •	1186393	Nut, Flange Lock-3/8-16	16	43	1726496	Rod, Steering	1
9	0121898	Thrust Washer	4	44 •	1186247	Hex Nut 1/2-20	2
10	1734555 010	Support, Seat	1	45	1731689 010	Arm Assembly, Steering	1
11	1186347	Fl. Screw 3/8-16 x 1	1	46	1743946 010	Axle Assembly, Front	1
12	1748704 010	Panel Ass'y, Instr.	1	47	1113527	Retaining Ring	1
13	1731956	Hook, Cable	1	48	1185319	Bearing, Bronze	2
14 •	1100256	Washer, Flat-3/8	2	49	1736206 010	Spindle Assembly L.H.	
15 •	1110108	Nut, Lock-3/8-16	1		Wheel	1	
16	1756443 010	Support Assembly, Battery & Gas Tank	1	50 •	1110547	Key, Woodruff-3/16 x 1-1/8	1
17	1748826 010	Frame Assembly R.H.	1	51	1186460	Roll Pin 5/16 x 1-1/4	2
18	1730692 010	Doubler, Rear	2	52	1726495 010	Rod, Tie	1
19 •	1115815	Machine Screw No. 10-24 x 5/8	4	53 •	1186247	Nut, Hex-1/2-20	2
20	1724698 010	Draw Bar	1	54	1738561 010	Support Assembly, Axle	1
21 •	1100055	Screw, Hex Hd-1/2-13 x 1-1/4	2	55 •	1732078	Screw, Hex Hd. Cap 5/8-11 (Special)	1
22 •	1100245	Washer, Lock-1/2	6	56 •	1110112	Nut, Hex-5/8-11	1
23	1727898	"U" Bolt	2	57	1739738 010	Spindle Assembly R.H.	
24	1726679	Hub, Wheel	2		Wheel	1	
25	1708599	Spacer	2	58	1746622 010	Cover	1
26 •	1120390	Nut, Hex-3/4-10	3	59	1708550	Thrust Washer	1
27	1757212	Wheel Assembly	2	60	1185616	Bearing, Ball with Seal	2
28	1718086	Valve	4	61	1757211	Wheel Assembly	2
29	1756845	Tire, 23 x 8.50-12	2	62	1756840	Tire, 16 x 6.50-8	2
30	0101085	Bolt, Hub	10	63	1185615	Bearing, Ball	2
31	1749895	Arm Ass'y, Steering	1	64	1735572	Frame Support	1
32	1733707	Spacer, Tubular	1	65	1744444	Cap, Dust	2
33	1185846	Bushing, Flange	1	66	1185985	Keps Nut No. 10-24	4
34	1740753	Bracket, Steering Support	1	67	1732620	Choke Control	1
35	1185976	Fitting, Grease Thd. Forming	5	68	1738414	Steering Shaft Ass'y	1
				69	1738413	Roll pin	1
				70	1736159	Bevel Pinion Gear	1
				71	1185035	Flange Bearing	2
				72	1737118	Knob	2

• Common Hardware—Purchase Locally. (Grade 5 where applicable)

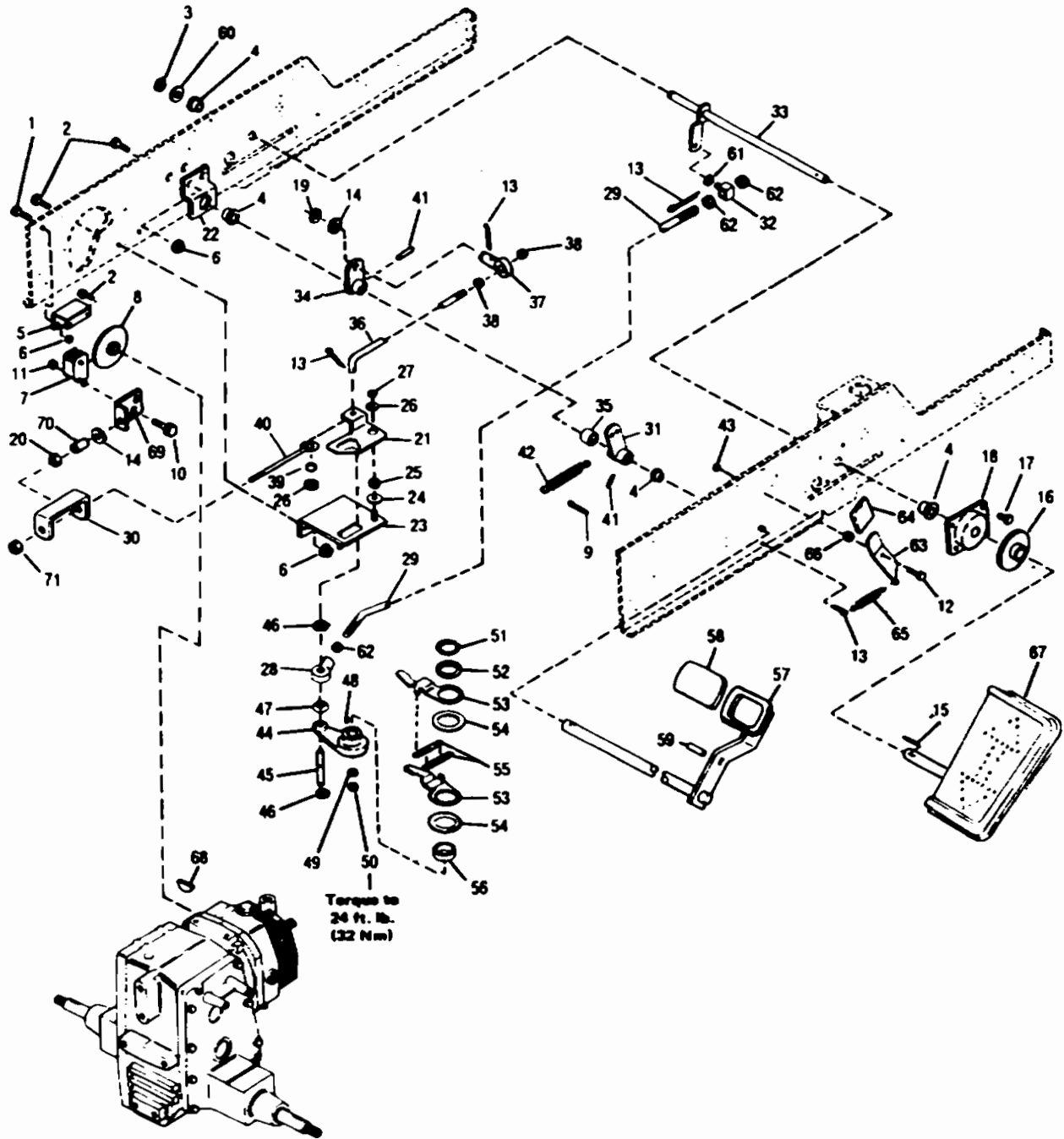


MODEL 1668R

REF. NO.	PART NO.	DESCRIPTION	NO. REQ'D	REF. NO.	PART NO.	DESCRIPTION	NO. REQ'D
1	1186310	Fl. Screw 1/4-20 x 3/4	1	36	1723478	Hitch Pin	4
2	1741653 010	Engine Support (RH front LH rear)	2	37	1100276	Key, Woodruff 1/4-7/8	1
3	1741664 010	Heat Shield Defl	1	38	1741572	Clutch/Brake, Elect	1
4	1186389	Fl. Nut 1/4-20	1	39	1186345	Screw, Fl. Lock 3/8-16 x 3/4	8
5	1806648	Spring, Extension	1	40 •	1100009	Screw, Hex Hd., 3/8-24 x 1	1
6	1186391	Flange Nut, 5/16-18	4	41 •	1100243	Washer, Lock 3/8	1
7	1756470 010	Engine Support	1	42	1734790	Clutch Retainer	1
8	1727918 010	Strap	1	43	1740344	Heat Shield Gasket	1
9 •	1185712	Screw, Hex Hd. Thd. Cutting No. 10-24 x 1/2	14	44	1756843	Decal, Belt Adjustment	1
10 •	1757213	Tank Retainer	1	45	1734935	Indicator Cap.	2
11	1718185	Clamp, Hose	2	46	1708125	Pin, Clevis	4
12	1185506	Jam Nut 5/16-18	1	47	1733134 010	Support, Engine	1
13	1727491	Filter Fuel	1	48	1726661	Extension Spring	1
14	1724708	Line, Fuel	1	49 •	1100350	Cotter Pin 1/8 x 1	2
15	1729587	Bushing, Snap	1	50 •	1107386	Washer, Flat 5/8	2
16	1723474	Clamp, Hose	1	51	1186393	Nut, Flange Lock 3/8-16	3
17	1718029	Valve, Shut Off	1	52	1741964	Exhaust Assembly	1
18	1746503	Fan	1	53	1186350	Screw, Fl. Lock 3/8-16 x 1-3/4	3
19	1741654	Engine Extension	1	54	1186393	Nut, Flange Lock 3/8-16	7
20	1743862	Drive Shaft Assembly	1	55	1726660	Pulley, Idler	2
21	1186332	Fl. Lock Screw 5/16-18 x 1-1/4	4	56 •	1100049	Screw, Hex. Hd. Cap 3/8-16 x 2-1/4	4
22	1737419	Sq. Hd. Set Screw	2	57	1186047	Washer, Flat 3/8 ID x 1-3/8 OD	8
23 •	1100807	Hex Screw 1/4-20 x 2	1	58	1726510	Mount, Rear	2
24 •	1733398	Nut, Hex. Lock, 3/8-16	4	59	1724896	Mount, Front	2
25 •	1107383	Washer, Flat, 3/8	2	60 •	1107383	Washer, Flat 3/8	4
26	1108842	Sq. Key 1/4 x 3/4	1	61	1113527	Ring, Retaining 3/4	2
27	1186327	Flange Screw 5/16-18 x 1/2	2	62	1742723	Pivot	1
28	1185798	Flange Screw 3/8-16 x 1/2	4	63 •	1734398	Nut, Lock 1/4-20	1
29	1185715	Lock Washer (Pyramidal) 3/8	1	64	1738569 010	Idler Arm Assembly	1
30	1742344 010	Shield, Grass	1	65	1742725 010	Idler Arm Assembly	1
31	1741669 010	Shield, Heat	1	66	1736481 010	Support, Idler	1
32	1105620	Sq. Plug 1/4-28 NPT	1	67	1735112	Knob, Adjusting	1
33		Engine, 16 HP, Briggs & Stratton 402447	1	68	1185885	Woodruff Key 3/16 x 5/8	1
34	B1724492	Fl. Screw, Thd. Form 1/4-20 x 1/2	6	69 •	1100256	Flat Washer 3/8	2
35	B1735531	Cable Tie	2	70	1748758	Gas Cap	1
				71	1749484	Fuel Tank (includes Ref. 70)	1
				72	1755364	Heat Shield Seal	2

• Common Hardware—Purchase Locally. (Grade 5 where applicable)

• Engine warranty service and repair parts are available from your local authorized Briggs & Stratton dealer.

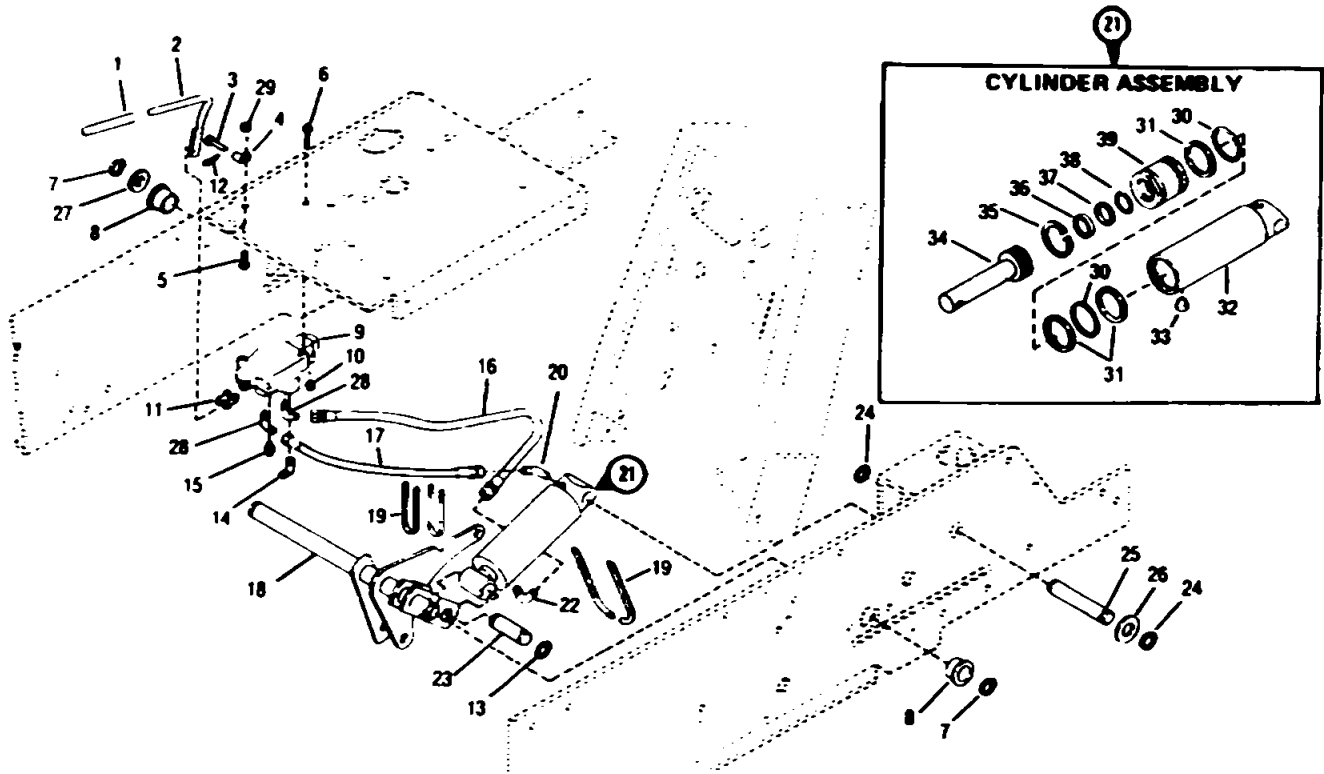


MODEL 1668R

REF. NO.	PART NO.	DESCRIPTION	NO. REQ'D	REF. NO.	PART NO.	DESCRIPTION	NO. REQ'D
1 •	1186347	Screw, Hex Hd. Flange		34	1747508	Arm Assembly	1
		Lock 3/8-16 x 1	2	35	1722957	Spacer	1
2 •	1186345	Screw, Hex Hd. Flange		36	1747513	Rod, Brake Control	1
		Lock 3/8-16 x 3/4	6	37	1747507	Block, Pivot	1
3	1118808	Ring, Retainer	1	38 •	1186259	Nut, Hex 3/8-16	2
4	1185802	Bearing, Flanged	4	39	1747497	Spacer	1
5	1747060	Bracket, Trans. Support	1	40	1747495	Brake Rod	1
6 •	1186393	Nut, Hex Flange Lock 3/8-16	6	41	1732147	Pin, Drive Lock	2
				42	1720612	Spring, Extension	1
7	1732361	Brake Ass'y, Mechanical	1	43 •	1733398	Locknut 3/8-16	1
8	1729273	Disc Assembly, Brake	1	44	1722151	Arm, Speed Control	1
9 •	1100350	Cotter Pin 1/8 x 1	1	45	1734563	Pin, Control	1
10 •	1100805	Screw, Hex Hd. Cap 1/4-20 x 3/4	2	46	1118802	Ring, Retaining	2
				47	1720699	Block, Cushion	1
11	1186389	Nut, Hex Fl. Lock 1/4-20	2	48	1104435	Key, Woodruff	1
12	1186348	Fl. Screw 3/8-16 x 1-1/4	1	49 •	1107385	Washer, Flat 1/2	1
13 •	1100346	Pin, Cotter 3/32 x 3/4	5	50 •	1110110	Lock Nut 1/2-13	1
14 •	1107382	Washer, Flat 5/16	2	51	1185732	Ring, Retaining	1
15	1185232	Roll Pin	1	52	1720529	Washer, Thrust	1
16	1738447	Control Disc Ass'y	1	53	1720523	Arm, Neutralizer	2
17	1738463	Thd. Cut Screw 12-24 x 1/2	4	54	1720361	Washer, Thrust	2
18	1738462	Electric Clutch	1	55	1720928	Spring, Extension	2
19	1705108	Flat Washer 5/16	1	56	1720706	Bearing	1
20	1186230	Hex Nut 5/16-18	1	57	1746136 010	Pedal Ass'y, Brake	1
21	1729213	Plate, Neutral	1	58	1725518	Pad, Pedal	1
22	1737019	Bracket, Brake Shaft	1	59	1120209	Pin, Roll 3/16 x 3/4	1
23	1729445	Support Ass'y Neutral Plate	1	60	1715301	Thrust Washer	AR
24	1703052	Washer, Flat	1	61	1705108	Washer	1
25	1732369	Spacer, Tubular	1	62	1186246	Nut, Hex 7/16-20	3
26 •	1107383	Washer, Flat 3/8	2	63	1726352	Lock, Brake	1
27 •	1110108	Nut, Hex Lock 3/8	1	64	1734553	Grip	1
28	1721612	Rod End	1	65	1726640	Spring, Extension	1
29	1749966	Rod, Speed Control	1	66 •	1186247	Hex Nut 1/2-20	1
30	1748372	Brake Return	1	67	1729147 010	Foot Pedal	1
31	1748584	Brake Arm Assembly	1	68	1751775	Woodruff Key, 1/4 x 3/4	1
32	1734827	Swivel	1	69	1747496	Ext. Brake Arm	1
33	1744856	Shaft Assembly, Speed Control	1	70	1747494	Sleeve	1
				71 •	1110107	Lock Nut 5/16-18	1

• Common Hardware—Purchase Locally (Grade 5 where applicable)

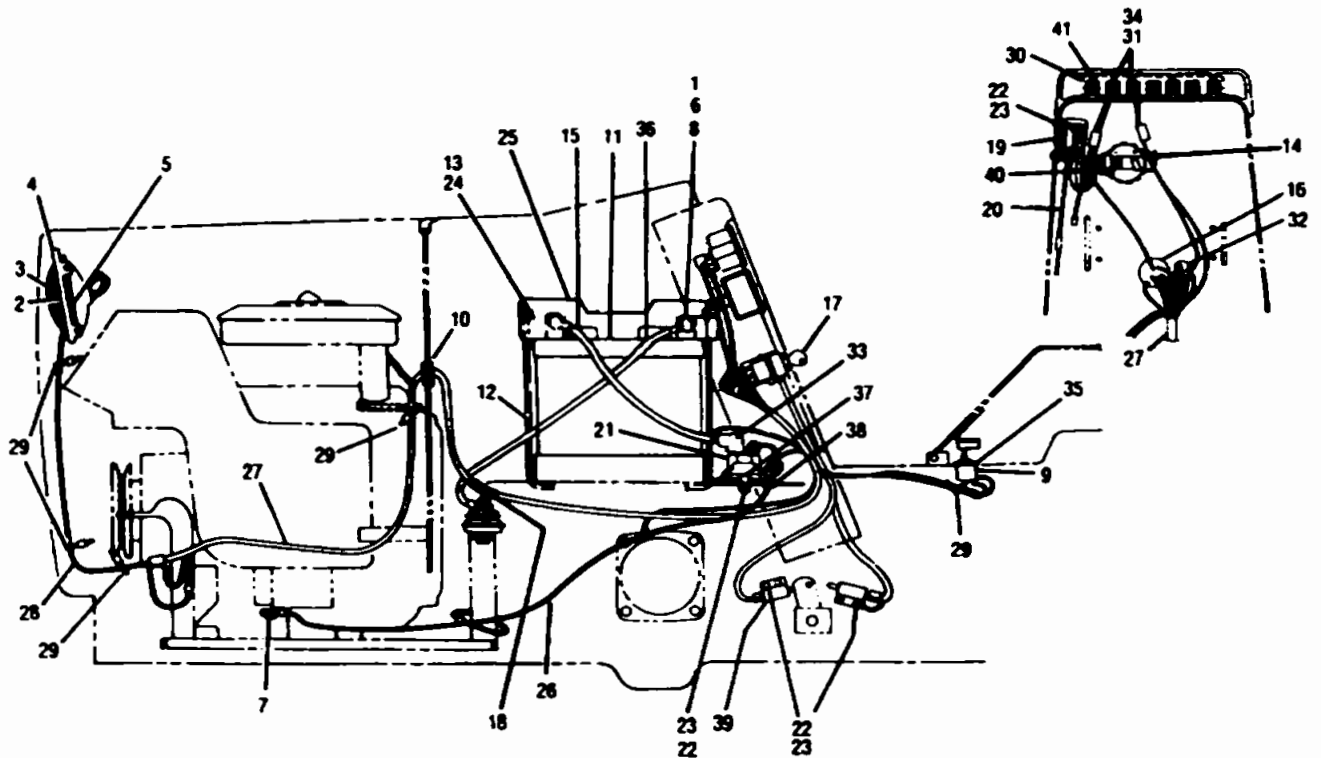
MODEL 1668R



REF. NO.	PART NO.	DESCRIPTION	NO. REQ'D	REF. NO.	PART NO.	DESCRIPTION	NO. REQ'D
1	1734624	Grip	1	21	1747509 010	Cylinder Assembly, Hydraulic (Incl. Ref. No. 30 thru 39)	1
2	1749014	Lever, Lift	1	22	1185739	Elbow, 90°	1
3	1749653	Clavis Pin	1	23	1747512	Pin, Cyl. Rod	1
4	1732471	Clamp	2	24	1113527	Ring, Retaining	2
5 •	1115815	Screw, Phil Hd. 10-24 x 5/8	2	25	1724703	Pin, Cyl. Anchor	1
6	1186313	Screw, Fl. Lock 1/4-20 x 1-1/4	2	26	1708012	Washer, Flat 3/4	1
7	1118554	Ring, Retaining	2	27	1185816	Washer	AR
8	1185728	Bushing	2	28	1185902	Elbow 45°	2
9	1751199	Valve	1	29	1185985	Nut, Keps 10-24	2
•	1751209	Seal Repair Kit	1	30	1186017	O-Ring	2
10	1186389	Nut, Fl. Lock 1/4-20	2	31	1186018	Ring, Back Up	3
11	1185018	Link, Lever	1	32	1729388	Tube Assembly, Hydraulic Cylinder	1
12 •	1185850	Pin, Cotter, 5/64 x 3/4	1	33	1105620	Plug, Pipe (Plastic)	AR
13	1118808	Retaining Ring	2	34	1747043	Rod Assembly Hydraulic Cylinder	1
14	1185737	Elbow, 90°	1	35	1118735	Ring, Internal Retaining	1
15	1717563	Connector	1	36	1185266	Seal, Oil	1
16	1733692	Assembly, Hose	1	37	1186019	Ring, Back Up	1
17	1719179	Hose Assembly, Cylinder	1	38	1177395	O-Ring	1
18	1751197 010	Shaft Assembly, Lift	1	39	1724511	Head, Cylinder	1
19	1735531	Tie, Cable	4				
20	1185903	Elbow, 45°	1				

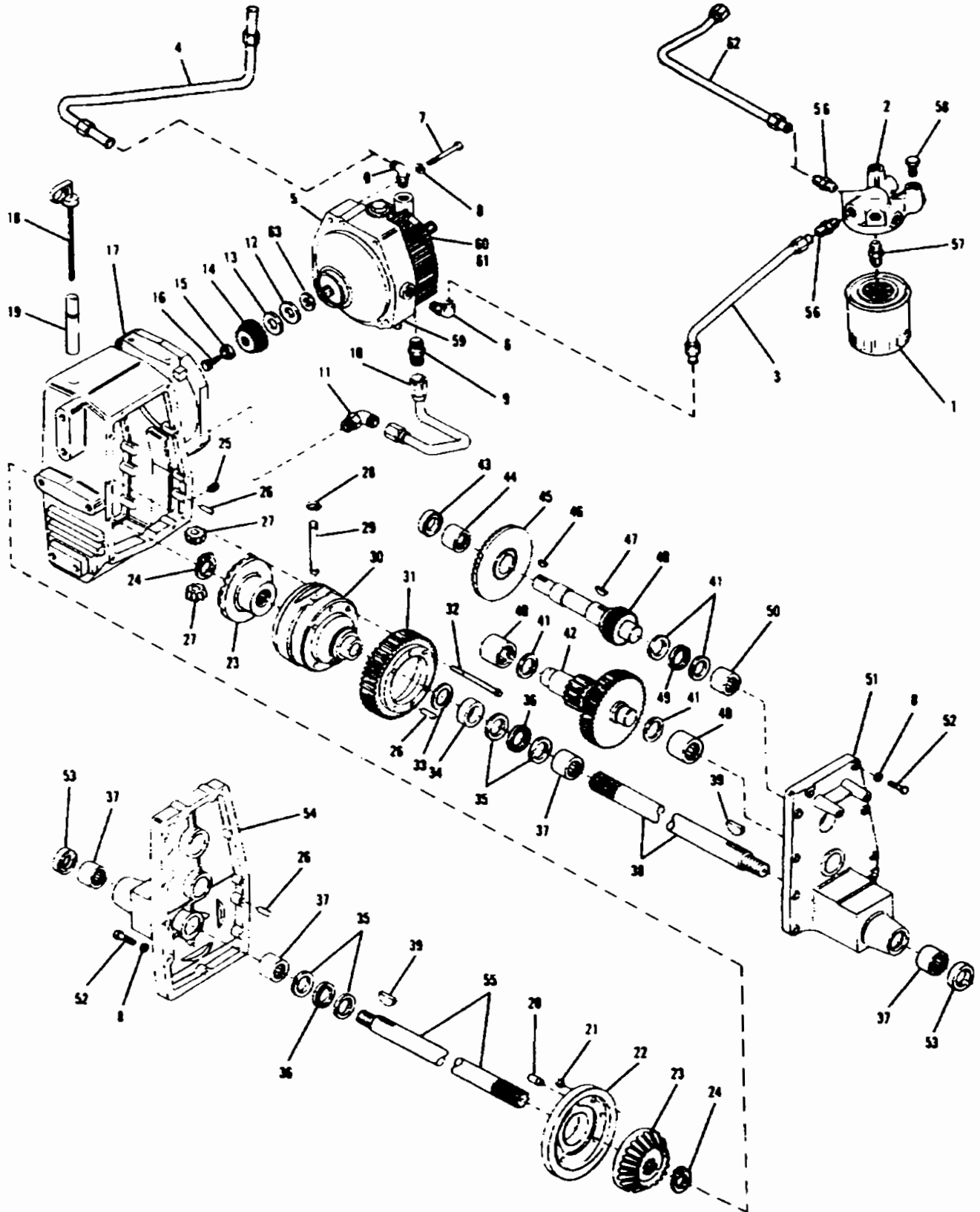
• Common Hardware—Purchase Locally (Grade 5 where applicable)

MODEL 1668R



REF. NO.	PART NO.	DESCRIPTION	NO. REQ'D	REF. NO.	PART NO.	DESCRIPTION	NO. REQ'D
1 •	1186229	Hex Nut 1/4-20	2	22 •	1115815	Screw, Phil. No. 10-24 x 5/8	8
2	1727379	Rivet, Pop 3/16 x 5/8	4	23 •	1185985	Nut, Keps Lock No. 10-24	8
3	1726435	Headlight	2	24	1734398	Lock Nut 1/2-20	2
4	1806805	Plate, Retainer	2	25	1755802	Battery, Hold Down	1
5	1806808	Retainer	2	26	1732581	Cable, Starter	1
6 •	1100241	Lock Washer 1/4	2	27	1750846	Harness Main	1
7 •	1186389	Flange Nut 1/4-20	1	28	1727169	Harness Headlight	1
8 •	1111599	Hex Screw 1/4-20 x 5/8	2	29	1805345	Cable, Tie	11
9	1734366	Switch	1	30	1749487	Sealing Strip	1
10	1729587	Snap Bushing	1	31	1748085	Lamp Assembly	1
11	1752840	Battery, 12 Volt	1	32	1734356	Switch PTO	1
12	1752586	Hold Down Rod	2	33	1715012	Electrical Nipple	1
13 •	1107381	Flat Washer 1/4	2	34	1735285	Bulb (Mfg. No. GE 73)	2
14	1739205	Ammeter 20-0-20	1	35	1734472	Switch Seal	1
15	1756074	Cable, Battery Pos.	1	36	1756377	Cable, Battery Neg. to Engine Mount	1
16	1754183	Switch, Ignition	1	37	1742113	Condensor	1
17	1753986	Key, Ignition	1	38	1749835	Flip Grommet	1
18	1752408	Plastic Tube	1	39	1748723	Push Button Switch	2
19	1745666	Relay	1	40	1732374	Switch, Cruise	1
20	1749492	Cruise Harness	1	41	1186020	Thd. Cutting Screw 6-32 x 3/8	2
21	1740056	Solenoid	1				

• Common Hardware—Purchase Locally. (Grade 5 where applicable)



MODEL 1668R

REF. NO.	PART NO.	DESCRIPTION	NO. REQ'D	REF. NO.	PART NO.	DESCRIPTION	NO. REQ'D
1	1726450	Filter	1	32	1733684	Screw, Flange 5/16-18 x 4.00	4
2	1734345	Manifold, Filter	1	33	1800338	Shim	AR
3	1734354	Tube Assembly, Return	1	34	1729497	Spacer, Tubular	1
4	1751198	Tube Assembly, Pump to Valve	1	35	1185730	Race, Thrust	4
			1	36	1185729	Bearing, Thrust	2
5	1743861	Transmission, Eaton # 11	1	37	1727637	Bearing, Needle	4
6	1185737	Elbow 90°	2	38	1747062	Axle, R.H.	1
7 •	1100770	Screw, hex Hd. Cap 3/8-16 x 2-3/4	4	39	1100281	Key, Woodruff	2
			21	40	1186010	Bearing, Needle	2
8 •	1100243	Washer, Lock 3/8		41	1186002	Race, Thrust	4
9	1186464	Connector	1	42	1729258	Gear Assembly, Cluster	1
10	1729264	Tube Assembly, Suction	1	43	1185882	Seal, Oil	1
11	1724390	Elbow, 90°	1	44	1187731	Bearing, Needle	1
12	1730374	Washer, Shim (.005)	AR	45	1724079	Gear	1
13	1730375	Washer, Shim (.015)	AR	46	1100276	Key, Woodruff	1
14	1729531	Gear, Bevel Pinion 18T	1	47	1100279	Key, Woodruff	1
15	1729559	Spacer	1	48	1757777	Shaft Assembly, Pinion	1
16	1741832	Screw, Hex Hd. Cap 1/4-20 x 5/8	1	49	1185764	Bearing, Thrust	1
			1	50	1185774	Bearing, Needle	1
17	1747086	Housing, Transaxle	1	51	1747074	Cover, Transaxle R.H.	1
18	1724092	Dipstick	1	52 •	1100047	Screw, Hex Hd. Cap 3/8-16 x 1-1/2	17
19	1724090	Tube	1				
20	1733103	Pin, Dowel 5/16	2	53	1185295	Oil Seal	2
21	1186459	Nut, Hex Lock 5/16-18 Grade 8	4	54	1747064	Cover, Transaxle L.H.	1
			1	55	1747061	Axle, L.H.	1
22	1728645	Cover, Differential	1	56	1721989	Connector	2
23	1752094	Gear	2	57	1721921	Coupling	1
24	1185689	Ring, Retaining	2	58 •	1186345	Flange Lock Screw 3/8-16 x 3/4	2
25	1185930	Plug, Pipe	1				
26	1110189	Pin, Dowel 3/8	6	59	1724370	Control Shaft Seal	1
27	1752095	Pinion	2	60	1724376	Input Shaft Seal	1
28	1185668	Ring, Retaining	2	61	1724377	Grass Shield	1
29	1756741	Shaft, Pinion	1	62	1749654	Tube Assembly, Filter to Valve	1
30	1729972	Carrier, Differential	1	63	1705093	Shim (.028)	AR
31	1729260	Gear, Axle 47T	1	NI	1728407	Sealant	AR

• Common Hardware—Purchase Locally. (Grade 5 where applicable)

WIRING DIAGRAM

