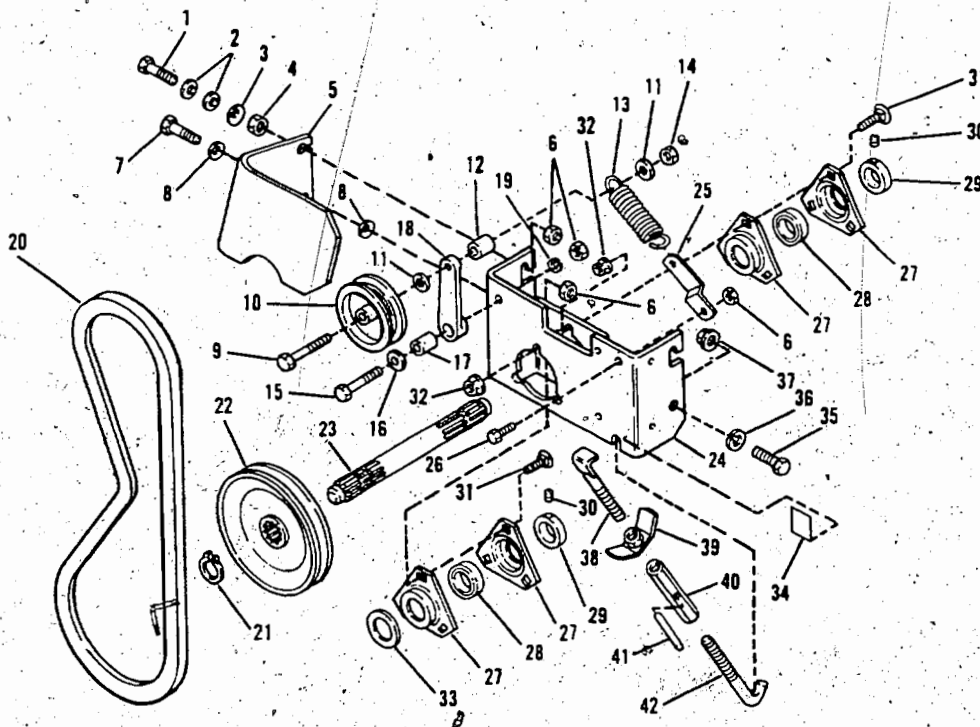


FMC FMC BOLENS FMC

PTO ATTACHMENT

MODEL 18309

Serial Numbers 0200101 thru 0399999



REF. NO.	PART NO.	DESCRIPTION	NO. REQ'D.	REF. NO.	PART NO.	DESCRIPTION	NO. REQ'D.
1	● 1100808	Screw, Hex. Hd. Cap 5/16-18 x 1-1/4	1	22	1726892	Sheave, PTO	1
2	● 1100255	Washer, Flat 5/16 Std.	2	23	1731841	Shaft, PTO	1
3	1185261	Lock Washer, Dished	1	24	1731840	Support Assy., PTO	1
4	● 1186258	Nut, Hex. Jam-5/16-18	1	25	1732257	Bracket, Spring	1
5	1733898	Cover, Belt	1	26	● 1100044	Screw, Hex. Hd. Cap 5/16-18 x 3/4	1
6	● 1732499	Nut, Top Lock 5/16-18	4	27	1185787	Bearing, Flange	4
7	● 1100045	Screw, Hex. Hd. Cap 5/16-18 x 1	1	28	1185587	Bearing, Ball	2
8	1705905	Washer, Bowed 5/16 ID x 5/8	2	29	1185788	Collar, Bearing	2
9	● 1100049	Screw, Hex. Hd. Cap 3/8-16 x 2-1/4	1	30	● 1103437	Screw, Set, Hex. Soc. Hd. 1/4-20	4
10	1720936	Idler	1	31	● 1186469	Bolt, Carriage (Sp.) 5/16-18 x 3/4	6
11	● 1100256	Washer, Flat 3/8 ID	2	32	● 1186391	Nut, Flange Lock 5/16-18	6
12	1714665	Spacer	1	33	1185816	Washer, Flat	5
13	1701322	Spring, Ext.	1	34	1730934	Decal	2
14	● 1733398	Nut, Lock 3/8-16	1	35	1732118	Screw, Hex. Hd. Special 1/2-13	2
15	● 1100799	Screw, Hex. Hd. Cap 5/16-18 x 1-1/2	1	36	● 1100245	Washer, Lock 1/2	2
16	● 1107382	Washer, Flat 5/16	1	37	● 1186397	Nut, Flange Lock 1/2-13	2
17	1730576	Bushing	1	38	1732350	Rod, Clamping (RH Thd)	1
18	1726922	Arm, Idler	1	39	1732430	Nut Assy., Wing 7/16-20	1
19	1100242	Washer, Lock 5/16	1	40	1722857	Turnbuckle	1
20	1742385	Belt, "V" 38-5/16" (Tec.)	1	41	1185476	Roll Pin 5/16 x 2	1
	1741578	Belt, "V" 42-3/8" (B & S)	1	42	1732351	Rod, Clamping (LH Thd)	1
21	1185689	Ring, Ext. Ret.	2				

● Common Hardware - Purchase Locally (Grade 5 where applicable).

FMC Corporation
Outdoor Power Equipment Division
Port Washington, Wisconsin 53074

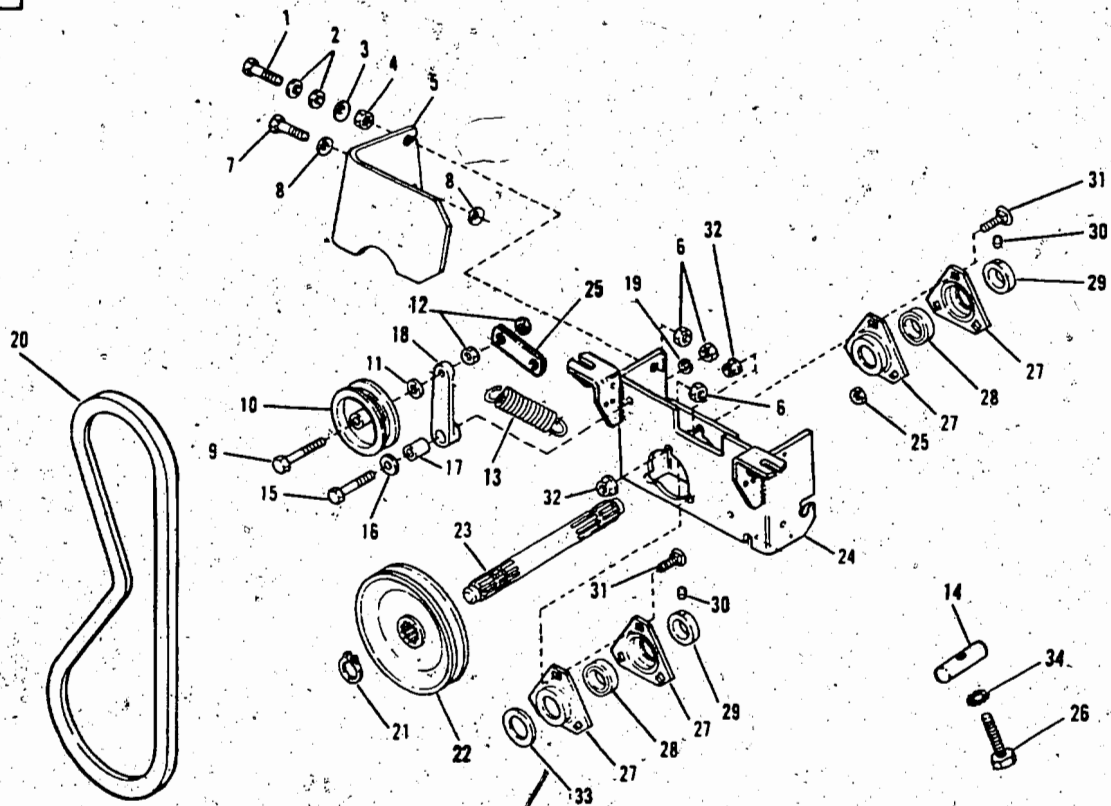
A-10

FORM P552990 3/77

FMC FMC Bolens FMC

PTO Attachment

Model 18309-04
thru 18309-05



REF. NO.	PART NO.	DESCRIPTION	NO. REQ'D.
1	• 1100808	Screw, Hex. Hd. Cap, 5/16-18 x 1-1/4	1
2	• 1100255	Washer, Flat, 5/16 Std.	2
3	• 1185261	Lockwasher, Dished	1
4	• 1186258	Nut, Hex. Jam, 5/16-18	1
5	• 1733898	Cover, Belt	1
6	• 1732499	Nut, Top Lock, 5/16-18	3
7	• 1100045	Screw, Hex. Hd. Cap, 5/16-18 x 1	1
8	• 1705905	Washer, Bowd, 5/16 ID x 5/8	2
9	• 1100048	Screw, Hex. Hd. Cap, 3/8-16 x 2	1
10	• 1735398	Idler	1
11	• 1100256	Flat Washer, 3/8	1
12	• 1185506	Lock Jam Nut, 3/8-16	2
13	• 1701322	Spring, Ext.	1
14	• 1733879	Special Rd. Nut	2
15	• 1100799	Screw, Hex. Hd. Cap, 5/16-18 x 1-1/2	1
16	• 1107382	Washer, Flat, 5/16	1

REF. NO.	PART NO.	DESCRIPTION	NO. REQ'D.
17	• 1730576	Bushing	1
18	• 1726922	Arm, Idler	1
19	• 1100242	Washer, Lock, 5/16	1
20	• 1742385	Belt, "V" 38-5/16" (Tec.)	1
	• 1741578	Belt, "V" 42-3/8" (B & S)	1
21	• 1118554	Ring, Ext. Ret.	1
22	• 1726892	Sheave, PTO (4)	1
	• 1735521	Sheave, PTO (5)	1
23	• 1731841	Shaft, PTO	1
24	• 1734597	Support Assy., PTO	1
25	• 1733883	Bracket, Spring	1
26	• 1738565	Hex Hd. 3/8-16 x 2.5	1
27	• 1185787	Bearing, Flange	4
28	• 1185587	Bearing, Ball	2
29	• 1185788	Collar, Bearing	2
30	• 1103437	Screw, Set, Hex. Soc. Hd., 1/4-20	4
31	• 1186469	Bolt, Carriage (Sp.), 5/16-18 x 3/4	6
32	• 1186391	Nut, Flange Lock, 5/16-18	6
33	• 1185816	Washer, Flat	5
34	• 1177042	External Lockwasher	2

Printed by
FMC Corporation
Outdoor Power Equipment Division
Port Washington, Wisconsin 53074

(4) Serial Numbers 0400101 thru 0499999
(5) Serial Numbers 0500101 thru 0599999

A-11