

# **Bolens<sup>®</sup>**

## **Tiller Attachment 33 Inch**

### **Model 18315**

Serial Numbers 0200101  
thru 0599999

## **Parts List**

# 33 INCH TILLER ATTACHMENT

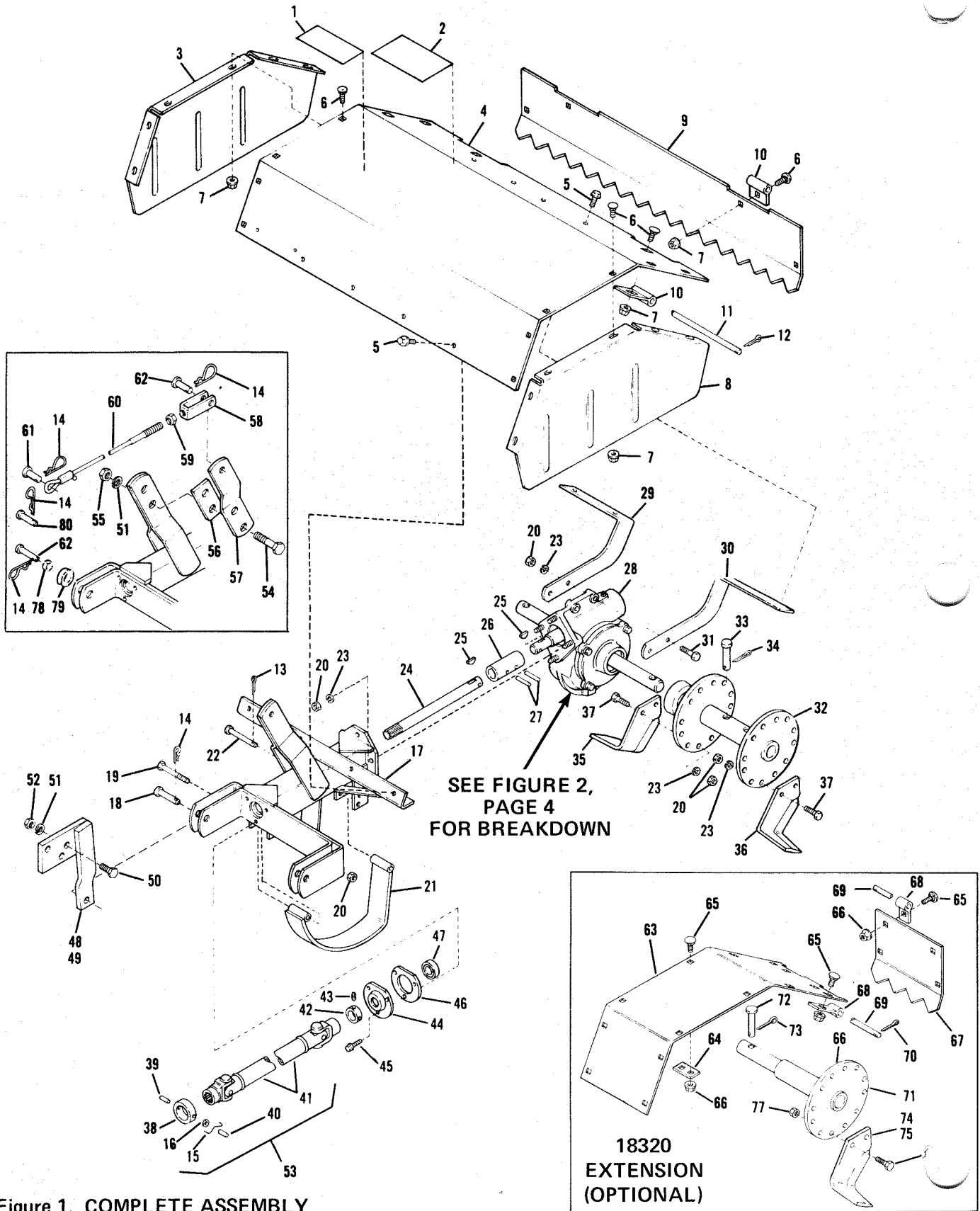


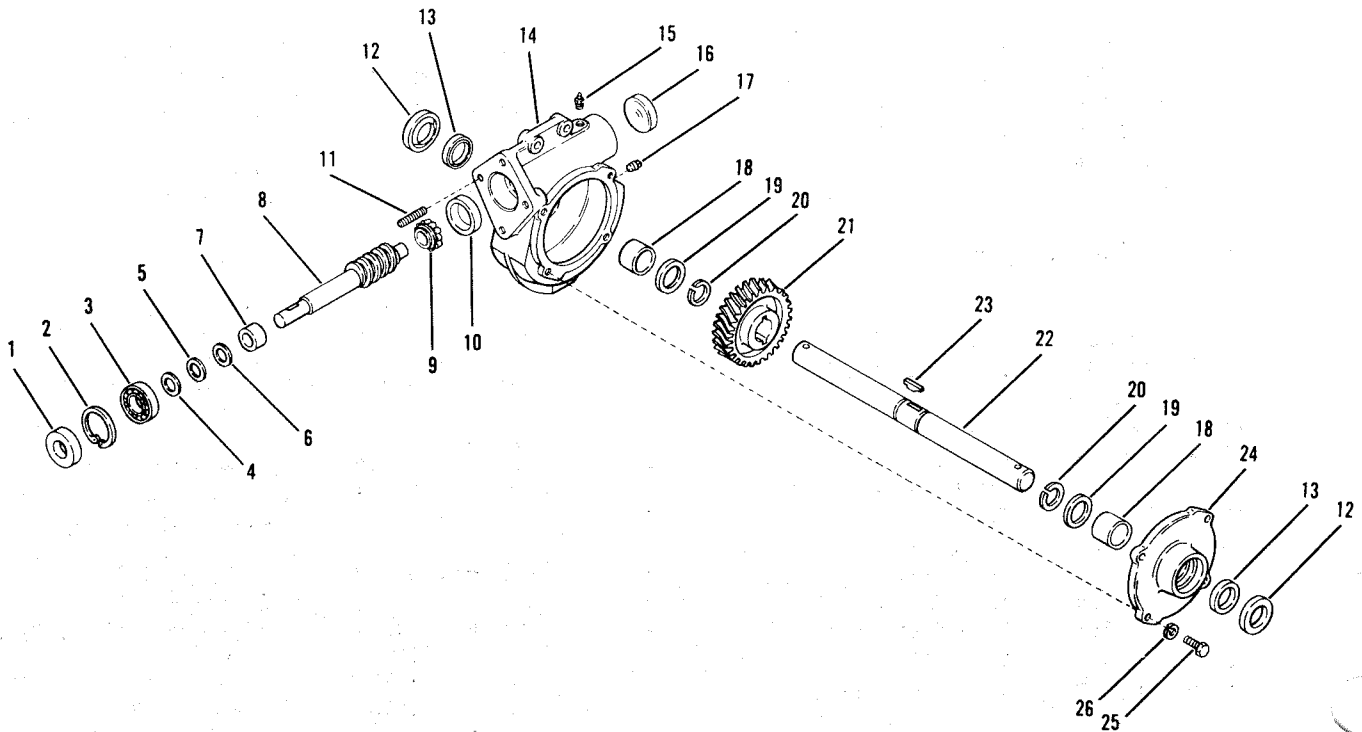
Figure 1. COMPLETE ASSEMBLY

| REF. NO. | PART NO.  | DESCRIPTION                                   | NO. REQ'D. | REF. NO.                    | PART NO.  | DESCRIPTION   | NO. REQ'D. |
|----------|-----------|---|------------|-----------------------------|-----------|---|------------|
| 1        | 1727451   | Decal, Logo (1)(2)                            | 1          | 41                          | 1733910   | Drive Shaft Assembly  | 1          |
|          | 1736651   | Decal, Logo (3)                               | 1          | 42                          | 1800417   | Bearing, Collar   | 1          |
| 2        | 1725404   | Decal, Caution                                | 1          | 43                          | ● 1103437 | Set Screw, Hex. Soc. Hd.<br>1/4-20                                | 2          |
| 3        | 1726850   | Hood, Side LH                                 | 1          | 44                          | 1734735   | Bearing, Flange   | 1          |
| 4        | 1726854   | Hood, Top                                     | 1          | 45                          | ● 1724492 | Screw, Fl. Lock 1/4-20 x<br>1/2 (Thd. Form.)                      | 3          |
| 5        | ● 1724491 | Screw, Fl. Lock 5/16-18 x<br>3/4 (Thd. Form.) | 8          | 46                          | 1733283   | Spacer  | 1          |
| 6        | ● 1186469 | Bolt-Short Neck Carriage<br>5/16-18 x 3/4     | 16         | 47                          | 1733137   | Bearing Ball (1)  | 1          |
| 7        | ● 1186391 | Nut, Fl. Lock 5/16-18                         | 16         |                             | 1735372   | Bearing Ball (2)(3)   | 1          |
| 8        | 1726851   | Hood, Side RH                                 | 1          | 48                          | 1733855   | R.H. Hitch Arm (2) (3)  | 1          |
| 9        | 1723504   | Board, Leveling                               | 1          | 49                          | 1733854   | L.H. Hitch Arm (2) (3)  | 1          |
| 10       | 1718196   | Hinge   | 4          | 50                          | ● 1100055 | Screw, Hex 1/2-13 x<br>1-1/4 (2)(3)                               | 6          |
| 11       | 1723031   | Pin, Hinge                                    | 1          | 51                          | ● 1100245 | Lock Washer 1/2 (2)(3)  | 8          |
| 12       | ● 1100346 | Pin, Cotter 3/32 x 3/4                        | 2          | 52                          | ● 1186233 | Nut, Hex 1/2-13 (2)(3)  | 6          |
| 13       | ● 1100349 | Pin, Cotter 1/8 x 3/4                         | 1          | 53                          | 1733911   | Drive Shaft Assy. (Includes<br>Items 15, 16, 38, 39, 40,<br>& 41) | 1          |
| 14       | 1723478   | Pin, Hitch                                    | 6          | 54                          | ● 1100080 | Hex Screw 1/2-13 x<br>2-3/4 (2)(3)                                | 2          |
| 15       | 1723782   | Spring, Return                                | 1          | 55                          | ● 1734514 | Top Lock Nut 1/2-13 (2)(3)  | 2          |
| 16       | 1725334   | Washer, Thrust                                | 1          | 56                          | 1734949   | Lift Arm Spacer (2)(3)  | 4          |
| 17       | 1733884   | Yoke Assembly (1)                             | 1          | 57                          | 1734557   | Lift Arm Extension (2)(3)   | 1          |
|          | 1734756   | Yoke Assembly (2)(3)                          | 1          | 58                          | 1734192   | Yoke, Cable (2)(3)  | 1          |
| 18       | 1713501   | Pin, Clevis                                   | 2          | 59                          | ● 1186231 | Hex Nut 3/8-16 (2)(3)   | 1          |
| 19       | ● 1100770 | Screw, Hex. Hd. Cap<br>3/8-16 x 2-3/4         | 1          | 60                          | 1734193   | Lift Cable (2)(3)   | 1          |
| 20       | ● 1733398 | Nut, Top Lock 3/8-16                          | 55         | 61                          | 1706621   | Clevis Pin (2)(3)   | 1          |
| 21       | 1732018   | Shoe Assembly                                 | 1          | 62                          | 1730851   | Clevis Pin (2)(3)   | 2          |
| 22       | 1732441   | Pin, Clevis 3/8 x 2-5/8                       | 1          | <b>EXTENSION (OPTIONAL)</b> |           |   |            |
| 23       | ● 1100243 | Washer, Lock 3/8                              | 54         | 63                          | 1729544   | Extension, Hood   | 1          |
| 24       | 1726864   | Shaft   | 1          | 64                          | 1718207   | Connector, Ext  | 7          |
| 25       | 1104436   | Key, Woodruff 3/16 x 3/4<br>(1)               | 2          | 65                          | ● 1186098 | Bolt, Rd. Hd. Carriage<br>5/16-18 X 3/4                           | 18         |
|          | 1200033   | Key, Hi-Pro (2) (3)                           | 2          | 66                          | 1186391   | Nut, Flange Whiz Lock<br>5/16-18                                  | 18         |
| 26       | 1726865   | Coupling                                      | 1          | 67                          | 1718204   | Board, Leveling Ext   | 1          |
| 27       | 1185533   | Pin, Drive 1/4 x 1-1/2                        | 2          | 68                          | 1718197   | Hinge   | 4          |
| 28       | 1732401   | Case Assembly, Gear                           | 1          | 69                          | 1718199   | Pin, Hinge  | 1          |
| 29       | 1726855   | Support, Hood (LH)                            | 1          | 70                          | ● 1100346 | Pin, Cotter 3/32 x 3/4  | 2          |
| 30       | 1726856   | Support, Hood (RH)                            | 1          | 71                          | 1732481   | Extension, Hub Assembly   | 1          |
| 31       | ● 1100048 | Screw, Hex. Hd. Cap<br>3/8-16 x 2             | 2          | 72                          | 1732053   | Pin, Clevis   | 1          |
| 32       | 1731843   | Hub Assembly, Tine                            | 2          | 73                          | ● 1100350 | Pin, Cotter 1/8 x 1   | 1          |
| 33       | 1732053   | Pin, Clevis                                   | 2          | 74                          | 1709388   | Tine, L.H. Bend   | 3          |
| 34       | ● 1100350 | Pin, Cotter 1/8 x 1                           | 2          | 75                          | 1709387   | Tine, R.H. Bend   | 3          |
| 35       | 1709388   | Tine, LH Bend                                 | 12         | 76                          | ● 1100913 | Screw, Hex. Hd. Cap<br>3/8-16 x 7/8                               | 12         |
| 36       | 1709387   | Tine, RH Bend                                 | 12         | 77                          | ● 1110108 | Nut, Hex. Lock 3/8-16   | 12         |
| 37       | ● 1100043 | Screw, Hex. Hd. Cap<br>3/8-16 x 1-1/4         | 48         | 78                          | 1734509   | Spacer (3)  | 1          |
| 38       | 1723781   | Collar, Locking                               | 1          | 79                          | 1734508   | Roller (3)  | 1          |
| 39       | 1185916   | Pin, Groove 3/16 x 3/8                        | 1          | 80                          | 1890227   | Clevis Pin (3)  | 1          |
| 40       | 1118922   | Pin, Groove 3/16 x 1/2                        | 1          | NI                          | 1730354   | Spray Paint, Black  |            |
|          |           |   |            | NI                          | 1736796   | Spray Paint, Dark Green   |            |

● Common Hardware - Purchase Locally - (Grade 5 where applicable)

- (1) Serial Number 0200101 thru 0399999
- (2) Serial Number 0400101 thru 0499999
- (3) Serial Number 0500101 and up

Figure 2.  
GEAR CASE ASSEMBLY



| REF. NO. | PART NO. | DESCRIPTION                               | NO. REQ'D. | REF. NO. | PART NO.  | DESCRIPTION                             | NO. REQ'D. |
|----------|----------|---|------------|----------|-----------|---|------------|
| 1        | 1728829  | Seal, Oil. . . . .                        | 1          | 15       | 1721442   | Valve, Pressure Relief . . . . .        | 1          |
| 2        | 1728830  | Ret. Ring, Int. . . . .                   | 1          | 16       | 1731808   | Plug, Expansion . . . . .               | 1          |
| 3        | 1100749  | Ball Bearing . . . . .                    | 1          | 17       | 1105620   | Plug, 1/4-18 NPT. . . . .               | 1          |
| 4        | 1701449  | Shim. . . . .                             | AR         | 18       | 1187206   | Bearing, Needle. . . . .                | 2          |
| 5        | 1718193  | Shim. . . . .                             | AR         | 19       | 1720529   | Washer, Thrust . . . . .                | 2          |
| 6        | 1800751  | Shim. . . . .                             | AR         | 20       | 1118816   | Ring, Retaining, Ext . . . . .          | 2          |
| 7        | 1728831  | Spacer. . . . .                           | 1          | 21       | 1732396   | Gear, Worm . . . . .                    | 1          |
| 8        | 1726860  | Shaft, Worm. . . . .                      | 1          | 22       | 1732394   | Shaft, Tine. . . . .                    | 1          |
| 9        | 1185275  | Cone, Tapered Roller<br>Bearing . . . . . | 1          | 23       | 1186063   | Ret., Hi Pro<br>(Type H-F-708). . . . . | 2          |
| 10       | 1185276  | Cup, Tapered Roller<br>Bearing . . . . .  | 1          | 24       | 1732398   | Cover, Gear Case . . . . .              | 1          |
| 11       | 1733522  | Stud, Threaded 3/8-16 . . . . .           | 4          | 25       | ● 1100045 | Capscrew - 5/16-18 x 3/4 . . . . .      | 4          |
| 12       | 1185630  | Seal, Oil. . . . .                        | 2          | 26       | ● 1100242 | Washer, Lock 5/16 . . . . .             | 4          |
| 13       | 1185777  | Seal, Oil. . . . .                        | 2          | NI       | 1722787   | Lube, Worm Gear, H.D.<br>20 oz. . . . . |            |
| 14       | 1732400  | Case, Gear . . . . .                      | 1          |          |           |   |            |

● Common Hardware - Purchase Locally (Grade 5 where applicable).