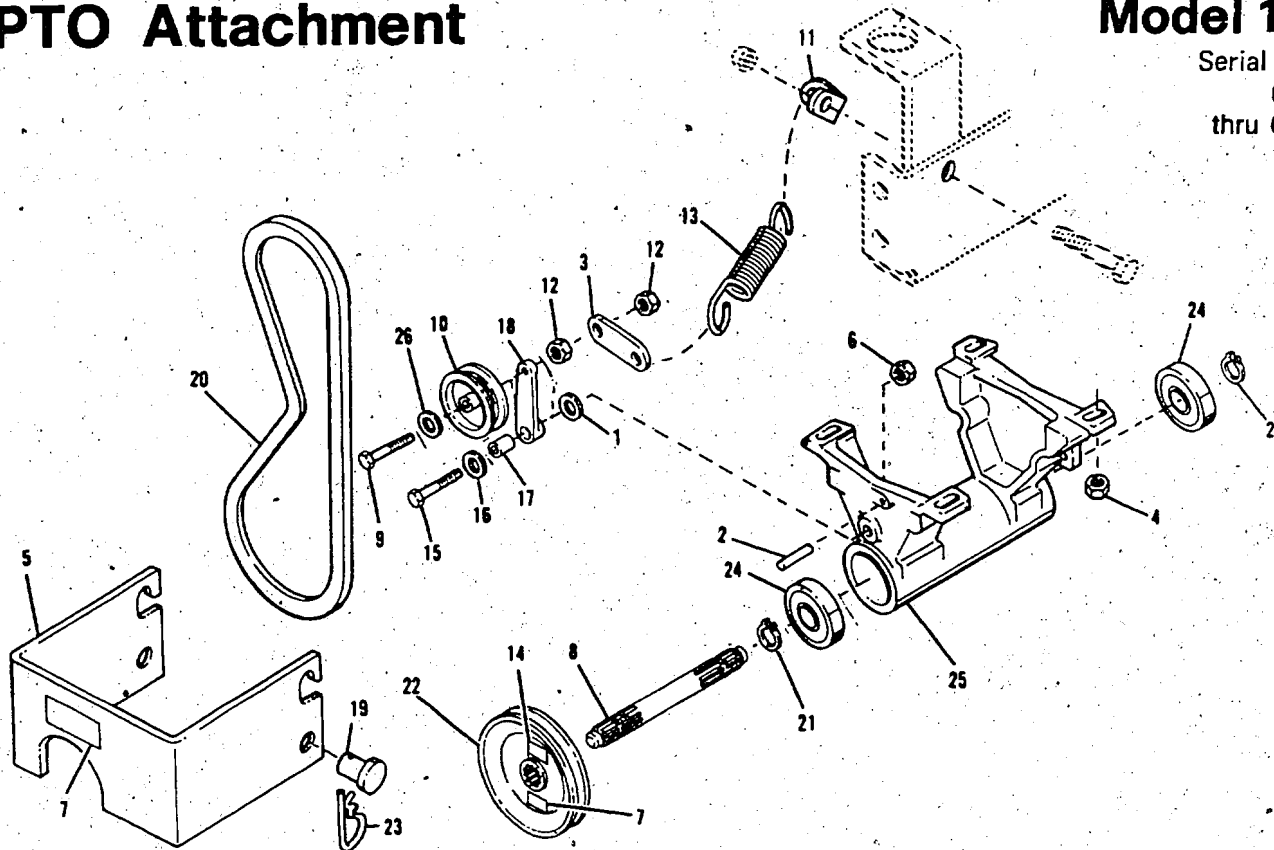


Bolens®

PTO Attachment

Model 18318

Serial Number
0100101
thru 0399999



REF. NO.	PART NO.	DESCRIPTION	NO. REQ'D.
1	1803327	Flat Washer	1
2	1703822	Roll Pin, 1/4 x 1-1/2	1
3	1733883	Spring Bracket	1
4	1185984	Lock Nut, 3/8-16	4
5	1739395	Cover, PTO	1
6	1732499	Nut, Top Lock, 5/16-18	1
7	1739678	Caution Decal (1)	2
	1742383	Caution Decal (2)(3)	2
8	1738549	PTO Shaft	1
9	1100048	Screw, Hex. Hd. Cap, 3/8-16 x 2	1
10	1735398	Idler	1
11	1738558	Spring Bracket (1)	1
	1742384	Spring Bracket (2)(3)	1
12	1185506	Lock Jam Nut, 3/8-16	2
13	1701322	Spring, Ext. (1) (2)	1
	1747034	Spring, Ext. (3)	1

REF. NO.	PART NO.	DESCRIPTION	NO. REQ'D.
14	1739761	Instruction Decal	2
15	1111606	Screw, Hex. Hd. Cap, 5/16-18 x 2	1
16	1107382	Washer, Flat, 5/16	1
17	1730576	Bushing	1
18	1726922	Arm, Idler	1
19	1708125	Clevis Pin	2
20	1742385	Belt, "V" 38-5/16" (Tec.)	1
	1741578	Belt, "V" 42-3/8" (B & S)	1
21	1185689	Ring, Ext. Ret.	2
22	1738555	PTO Sheave	1
23	1723478	Spring Pin	2
24	1725087	Ball Bearing	2
25	1738554	PTO Support	1
26	1107383	Flat Washer 3/8"	1

• Common Hardware - Purchase Locally (Grade 5 where applicable).

- (1) Serial Numbers 0100101 thru 0199999
- (2) Serial Numbers 0200101 thru 0299999
- (3) Serial Numbers 0300101 thru 0399999