

---

# **Bolens<sup>®</sup>**

## **Snow Thrower Attachment**

## **Model 18538**

TYPE 01 & 02  
Serial Numbers  
0300101  
thru  
0499999

## **Parts List**

# BOLENS 38 INCH SNOW THROWER

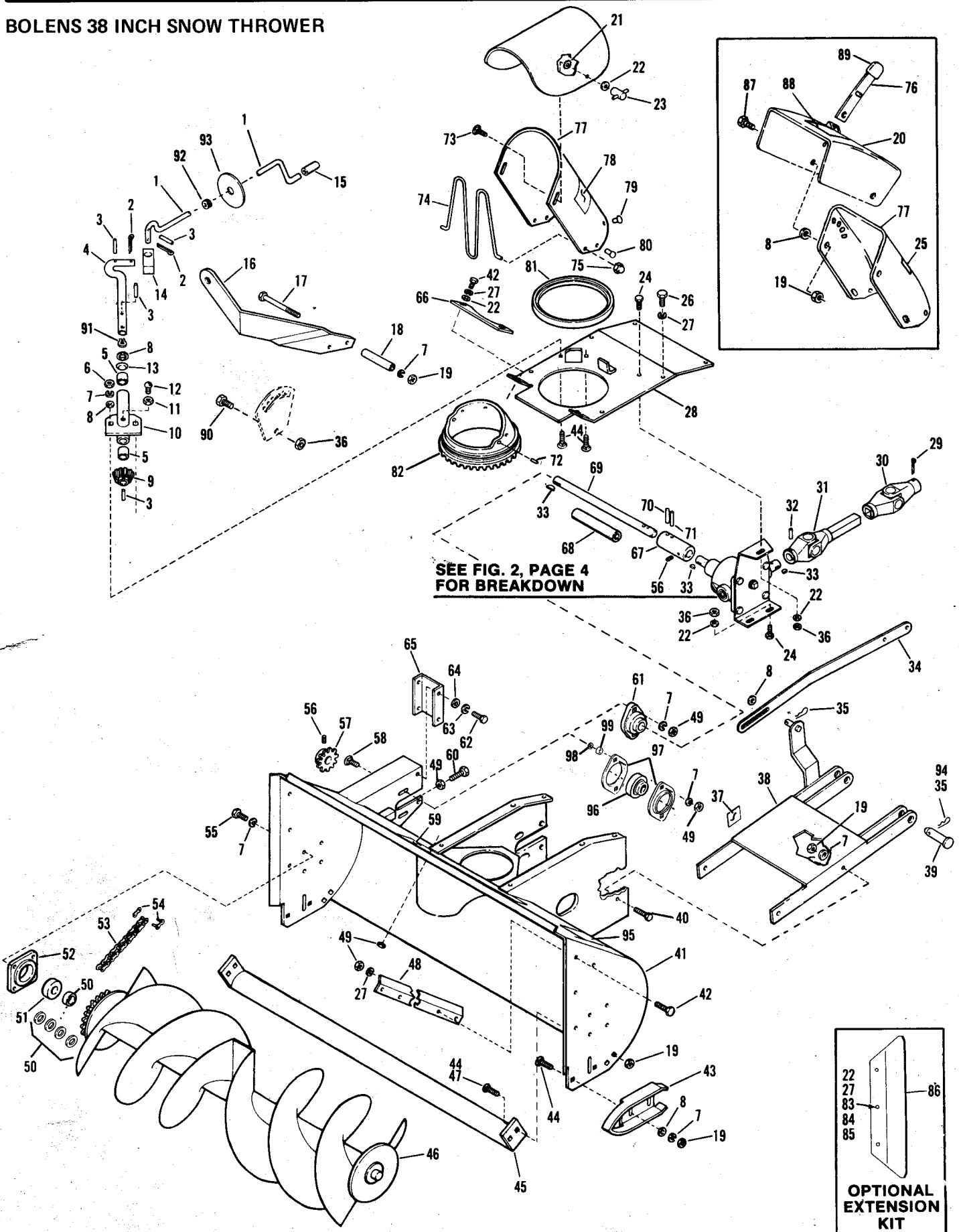


Figure 1 COMPLETE ASSEMBLY

MODEL 18538

REF. NO.	PART NO.	DESCRIPTION	NO. REQ'D.	REF. NO.	PART NO.	DESCRIPTION	NO. REQ'D.
1	1716974	Crank (1)(2)(3) . . . . .	1	48	1715427	Drift Slicer (1) . . . . .	2
	1727031	Crank (4) . . . . .	1	49 ●	1186230	Hex Nut, 5/16-18 . . . . .	7
2 ●	1100349	Cotter Pin, 1/8 x 3/4 . . . . .	2	50	1711981	Spacer (1)(2)(3) . . . . .	2
3	1177625	Drive Pin, 1/8 x 3/4 . . . . .	4		1700821	Washer (4) . . . . .	8
4	1722580	Pinion Shaft (1)(2)(3) . . . . .	1	51	1185574	Ball Bearing . . . . .	2
	1734779	Pinion Shaft (4) . . . . .	1	52	1714365	Bearing Flange . . . . .	2
5	1185395	Sleeve Bearing . . . . .	1	53	1714363	Roller Chain, No. 40 . . . . .	1
6 ●	1186231	Hex Nut, 3/8-16 . . . . .	2	54	1185026	Connector, No. 40 . . . . .	1
7 ●	1100243	Lockwasher, 3/8 . . . . .	16	55 ●	1103212	Cap screw, 3/8-16 x 5/8 (1)(2)(3) . . . . .	10
8 ●	1107383	Flat Washer, 3/8 . . . . .	10	●	1185798	Flange Lock Screw, 3/8-16 x 1/2 (4) . . . . .	8
9	1714367	Pinion . . . . .	1	56	1182554	Set Screw, 5/16-18 x 5/16 . . . . .	4
10	1721368	Chute Control Support (Incl. Ref. No. 5) . . . . .	1	57	1722614	Sprocket, 13T . . . . .	1
11 ●	1186229	Hex Nut, 1/4-20 . . . . .	1	58 ●	1186100	Carriage Bolt, 5/16-18 x 1 . . . . .	2
12 ●	1102571	Machine Screw, 1/4-20 x 3/4 . . . . .	1	59	1716053	(Bolens) Decal (1) . . . . .	1
13	1705119	Bowed Washer . . . . .	1		1725532	(Bolens) Decal (2) . . . . .	1
14	1714782	Swivel Block . . . . .	1		1727451	(Bolens) Decal (3) . . . . .	1
15	1725523	Plastic Grip (3) . . . . .	1		1736651	(Bolens) Decal (4) . . . . .	1
	1715685	Plastic Grip (4) . . . . .	1	60 ●	1185742	Cap screw, 5/16-18 x 1-1/2 . . . . .	1
16	1714349	Crank Support . . . . .	1	61	1185898	Self Aligning Bearing (1)(2)(3) . . . . .	1
17 ●	1186415	Cap screw, 3/8-16 x 4-1/2, (Used on Hydrostatic Model Tractors except Model 1225) . . . . .	2	62 ●	1100804	Cap screw, 1/4-20 x 1/2 (1)(2)(3) . . . . .	4
●	1110644	Cap screw, 3/8-16 x 3-1/4 (Used on Gear Drive Model Tractors) . . . . .	2	●	1186307	Cap screw, 1/4-20 x 3/8 (4) . . . . .	4
18	1721898	Spacer (Used on Hydrostatic Model Tractors except Model 1225) (1) . . . . .	2	63 ●	1100241	Lockwasher, 1/4 (1)(2)(3) . . . . .	4
	1724362	Spacer (Used on Hydrostatic Model Tractors except Model 1225) (2)(3)(4) . . . . .	2	64 ●	1107381	Flat Washer, 1/4 (1)(2)(3) . . . . .	4
19 ●	1110106	Locknut, 3/8-16 (1)(2)(3) . . . . .	16	65	1722617	End Cover . . . . .	1
	1733398	Locknut, 3/8-16 (4) . . . . .	16	66	1718714	Closure Plate (1)(2)(3) . . . . .	1
	1718723	Deflector Cap (1)(2) . . . . .	1	67	1722615	Coupling (1)(2) . . . . .	1
	1723746	Deflector Cap (3)(4) . . . . .	1		1723774	Coupling (3)(4) . . . . .	1
21	1185569	Shakeproof Washer, 5/16 (1)(2) . . . . .	2	68	1729190	Tube (3)(4) . . . . .	1
22 ●	1107382	Flat Washer, 5/16 . . . . .	11	69	1722616	Rotor Drive Shaft . . . . .	1
23	1714373	Wing Nut (1)(2) . . . . .	1	70	1891696	Shear Pin, 5/16 x 1-1/2 . . . . .	1
24 ●	1100078	Cap screw, 5/16-18 x 7/8 . . . . .	3	71	1703822	Drive Pin, 1/4 x 1-1/2 . . . . .	1
25	1724816	(Caution) Decal (2)(3) . . . . .	1	72	1703066	Roll Pin (1)(2)(3) . . . . .	2
26 ●	1100088	Cap screw, 5/16-18 x 1/2 . . . . .	6		1177625	Roll Pin (4) . . . . .	2
27 ●	1100242	Lockwasher, 5/16 . . . . .	12	73 ●	1185518	Carriage Bolt, 1/4-20 x 5/8 (1)(2) . . . . .	2
28	1722619	Gear Cover Assy. (1)(2) . . . . .	1	74	1722501	Chute Guard . . . . .	1
	1729186	Gear Cover Assy. (3)(4) . . . . .	1	75	1186048	Push Nut (3)(4) . . . . .	2
29	1716369	(Special) Cotter Pin (1) . . . . .	1	76	1723643	Adj. Lever Assy. (3)(4) . . . . .	1
*30	1715008	"U" Joint (1) . . . . .	1	77	1718722	Outlet Duct (1)(2) . . . . .	1
*31	1713650	"U" Joint and Shaft . . . . .	1		1723748	Outlet Duct (3)(4) . . . . .	1
32	1185376	Drive Pin, 3/16 x 1-1/2 . . . . .	1	78	1715670	(Caution) Decal (1)(2) . . . . .	1
33	1104436	Woodruff Key, 3/16 x 3/4 . . . . .	3	79	1185878	Pop Rivet, 3/16 x 3/8 . . . . .	2
34	1714432	Lift Link . . . . .	1	80	1185879	Pop Rivet, 3/16 x 1/2 . . . . .	2
35	1703011	Cotter Spring . . . . .	3	81	1719394	Seal Ring . . . . .	1
36 ●	1110107	Locknut, 5/16-18 (1)(2)(3) . . . . .	3	82	1718730	Duct Swivel (1)(2) . . . . .	1
	1732499	Top Locknut (4) . . . . .	4		1721692	Duct Swivel (3)(4) . . . . .	1
37	1719347	(Shear Pin) Decal . . . . .	1	83 ●	1106874	Screw, 5/16-18 x 3/4 . . . . .	4
38	1722587	Hitch Assy. . . . .	1	84 ●	1106880	Screw, 5/16-18 x 1-1/8 . . . . .	4
39	1719367	Clevis Pin . . . . .	2	85 ●	1103839	Nut, 5/16-18 . . . . .	4
40 ●	1100046	Cap screw, 3/8-16 x 1 (1)(2)(3) . . . . .	4	86	1719703	Extension . . . . .	2
●	1100043	Cap screw, 3/8-16 x 1-1/4 (4) . . . . .	4	87 ●	1100068	Cap screw, 3/8-16 x 3/4 (4) . . . . .	2
41	1722577	Rotor Housing . . . . .	1	88	1735924	(Warning) Decal (4) . . . . .	1
42 ●	1103195	Cap screw, 5/16-18 x 5/8 . . . . .	7	89	1730214	Grip (4) . . . . .	1
43	1715011	Shoe . . . . .	2	90 ●	1103195	Cap screw, 5/16-18 x 5/8 (4) . . . . .	1
44 ●	1186128	Carriage Bolt, 3/8-16 x 1 . . . . .	6	91	1185226	Grip Ring (4) . . . . .	1
45	1722596	Scraper . . . . .	1	92	1734934	Rubber Grommet (4) . . . . .	1
46	1722598	Rotor . . . . .	1	93	1734930	Instruction Plate (4) . . . . .	1
47 ●	1186126	Carriage Bolt, 3/8-16 x 3/4 (1)(2)(3) . . . . .	4	94	1723478	Cotter Spring (4) . . . . .	2
				95	1735925	Caution Decal (4) . . . . .	1
				96	1741640	Ball Bearing (4) . . . . .	1
				97	1185838	Flange Bearing (4) . . . . .	2
				98 ●	1107383	Flat Washer, 3/8 (4) . . . . .	2
				99	1716778	Spacer (4) . . . . .	2

● Common Hardware - Purchase Locally (Grade 5 where applicable).

\*1714207 Repair Kit for Joint Marked 6N

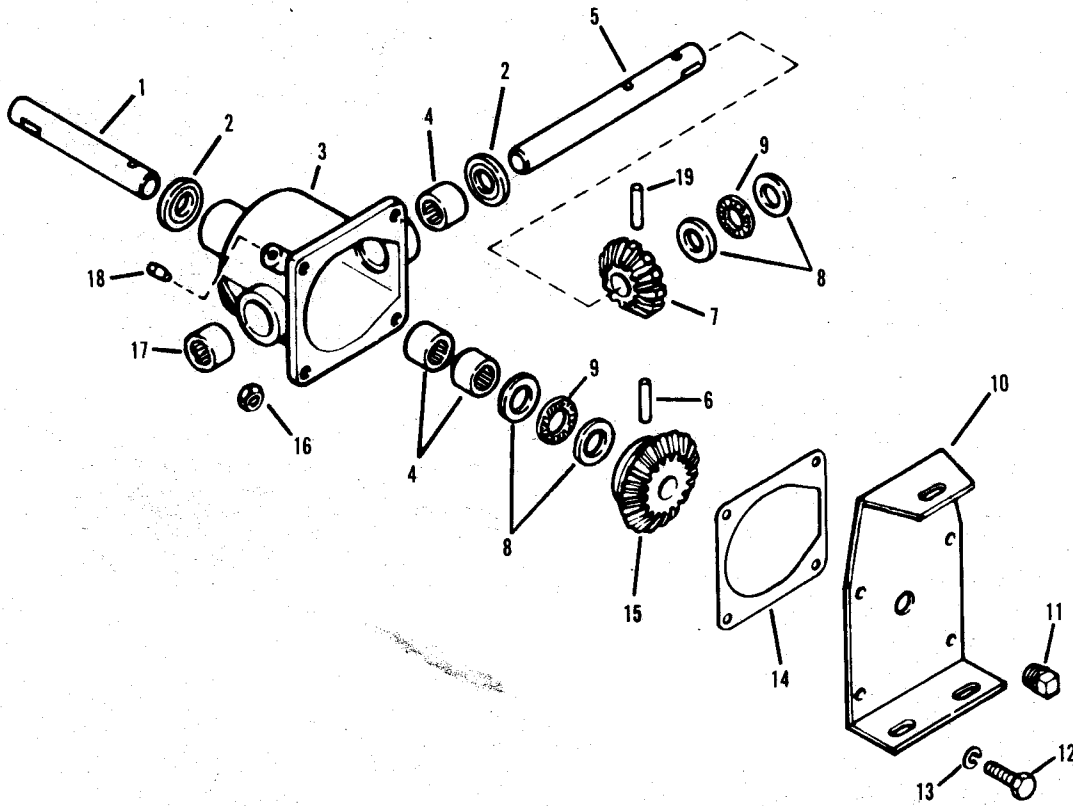
\*1714208 Repair Kit for Joint Marked NEAPCO

(1) Type 01

(2) Type 02

(3) Serial Number 0300101 thru 0399999

(4) Serial Numbers 0400101 and up



REF. NO.	PART NO.	DESCRIPTION	NO. REQ'D.	REF. NO.	PART NO.	DESCRIPTION	NO. REQ'D.
1	1722594	Output Shaft . . . . .	1	11	1105678	Pipe Plug . . . . .	1
2	1185296	Oil Seal . . . . .	2	12	● 1106878	Capscrew, 5/16-18 x 1 . . . . .	4
3	1715014	Gear Case. . . . .	1	13	● 1100242	Lockwasher, 5/16 . . . . .	4
4	1185010	Needle Bearing . . . . .	3	14	~ 1713662	Gasket. . . . .	1
5	1722593	Input Shaft . . . . .	1	15	1713663	Bevel Gear, 23T . . . . .	1
6	1185284	Roll Pin, 1/4 x 2 . . . . .	1	16	● 1110107	Locknut, 5/16-18 . . . . .	4
7	1713664	Bevel Gear, 16T . . . . .	1	17	1713665	Needle Bearing . . . . .	1
8	1185432	Thrust Race . . . . .	4	18	182682	Breather . . . . .	1
9	1185431	Roller Thrust Bearing. . . . .	2	19	1185218	Roll-pin, 1/4 x 1-1/8 . . . . .	1
10	1722595	Gear Case Support. . . . .	1	NI	1723456	EP90 Gear Lube	

● Common Hardware - Purchase Locally (Grade 5 where applicable).

Figure 2 GEAR CASE ASSEMBLY