

Important Notice

The manuals contained in this computer file are reproductions from the “Wisconsin Engine” counter catalog, part number “S236”. This manual was last produced in the mid 1980’s.

As with any printed data, the information contained in these manuals may not be the most up-to-date available. It is provided as a convenience to our customers and all information should be verified before making repairs to an engine or component.

All service parts are sold through our Distributor Network. Visit our website (www.wisconsinmotors.com) to locate a distributor near you.



**Wisconsin
Motors, LLC**

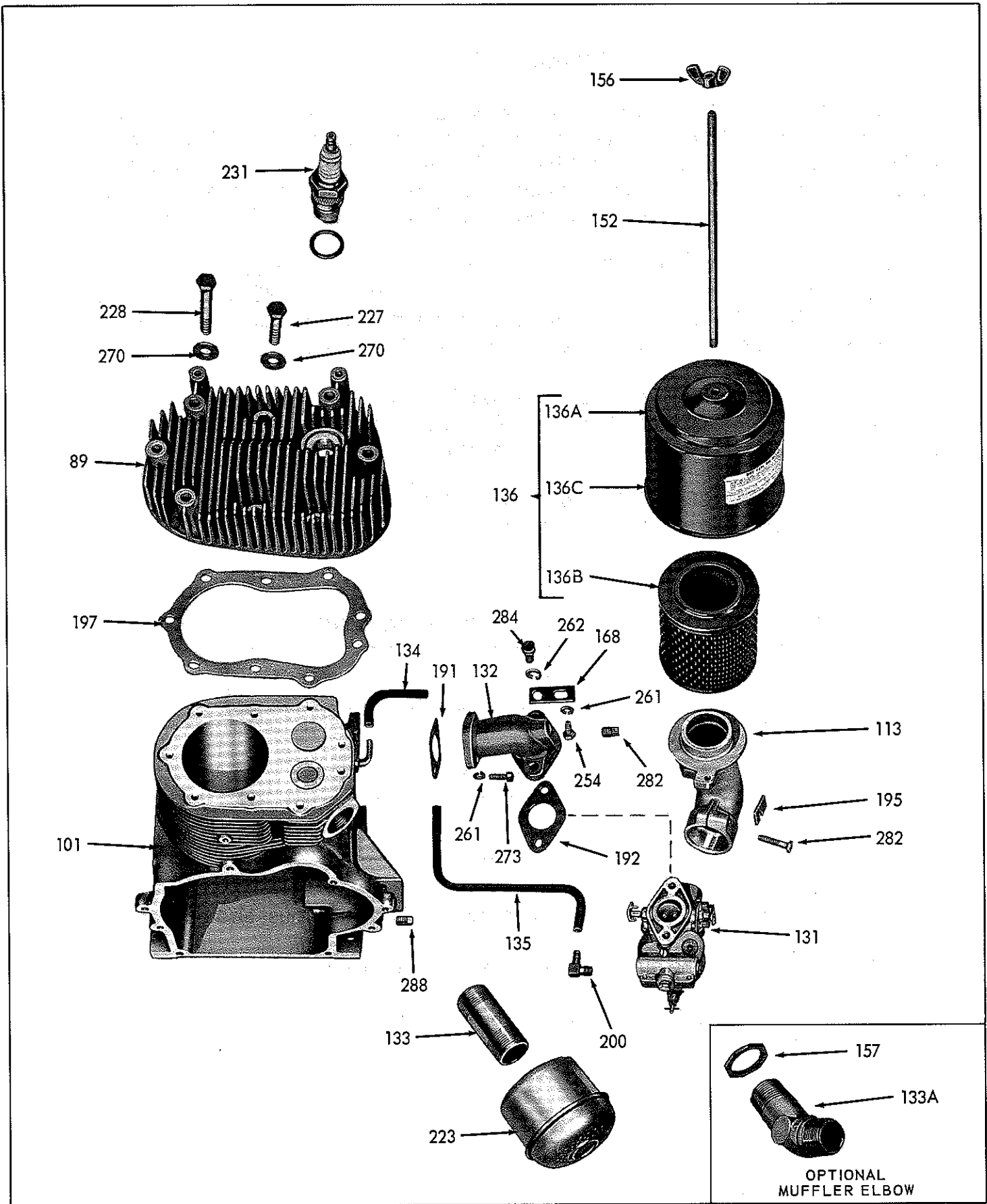
Sales Office

2020 Fletcher Creek Drive - Memphis, TN 38133

Phone (901) 371-0353 Toll Free 800-932-2858

www.wisconsinmotors.com

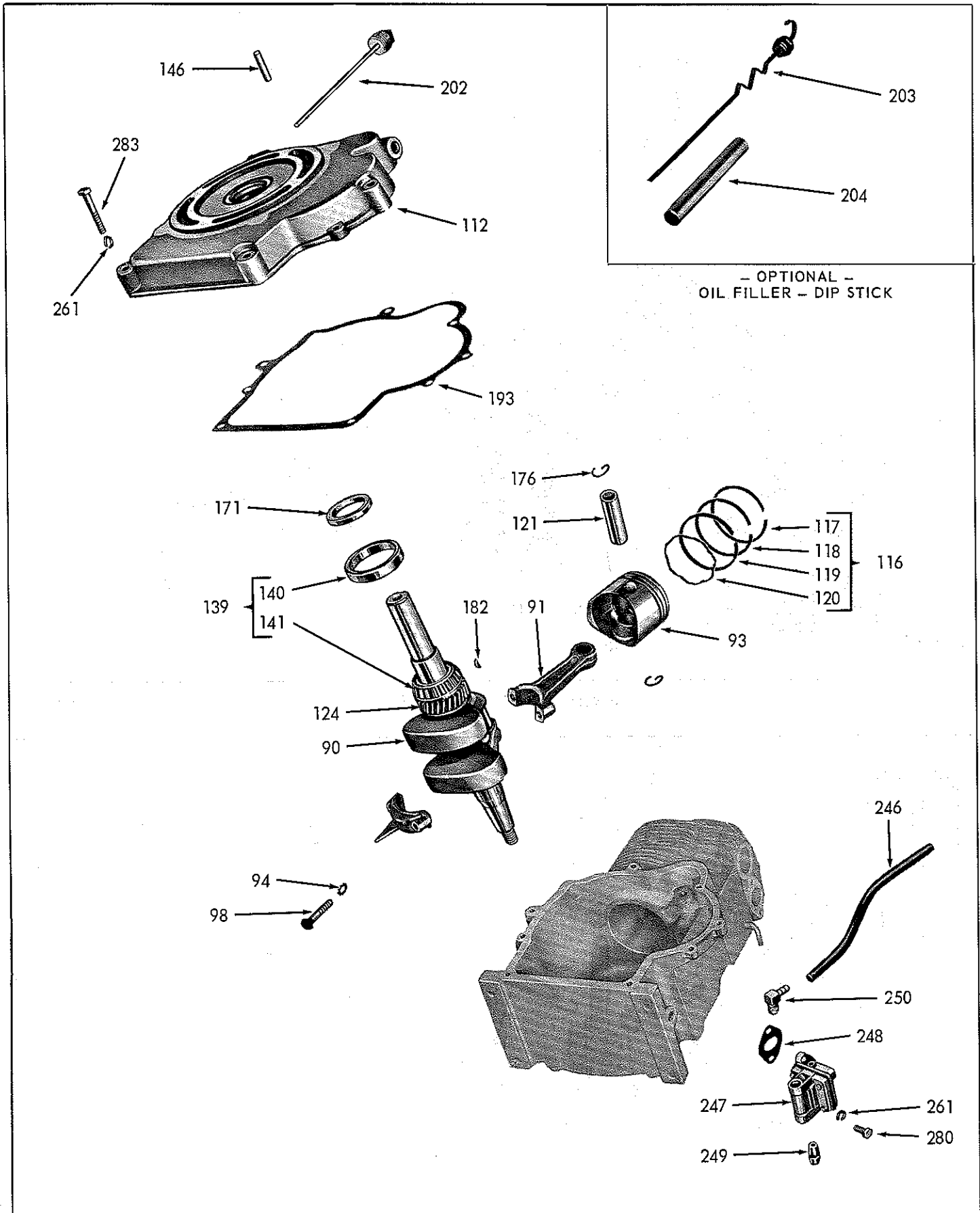
PARTS FOR ENGINE MODELS TRA-10D AND TR-10D



CRANKCASE, CYLINDER HEAD, CARBURETOR and AIR CLEANER GROUP

Parts are identified by reference number. See parts list for correct part number.

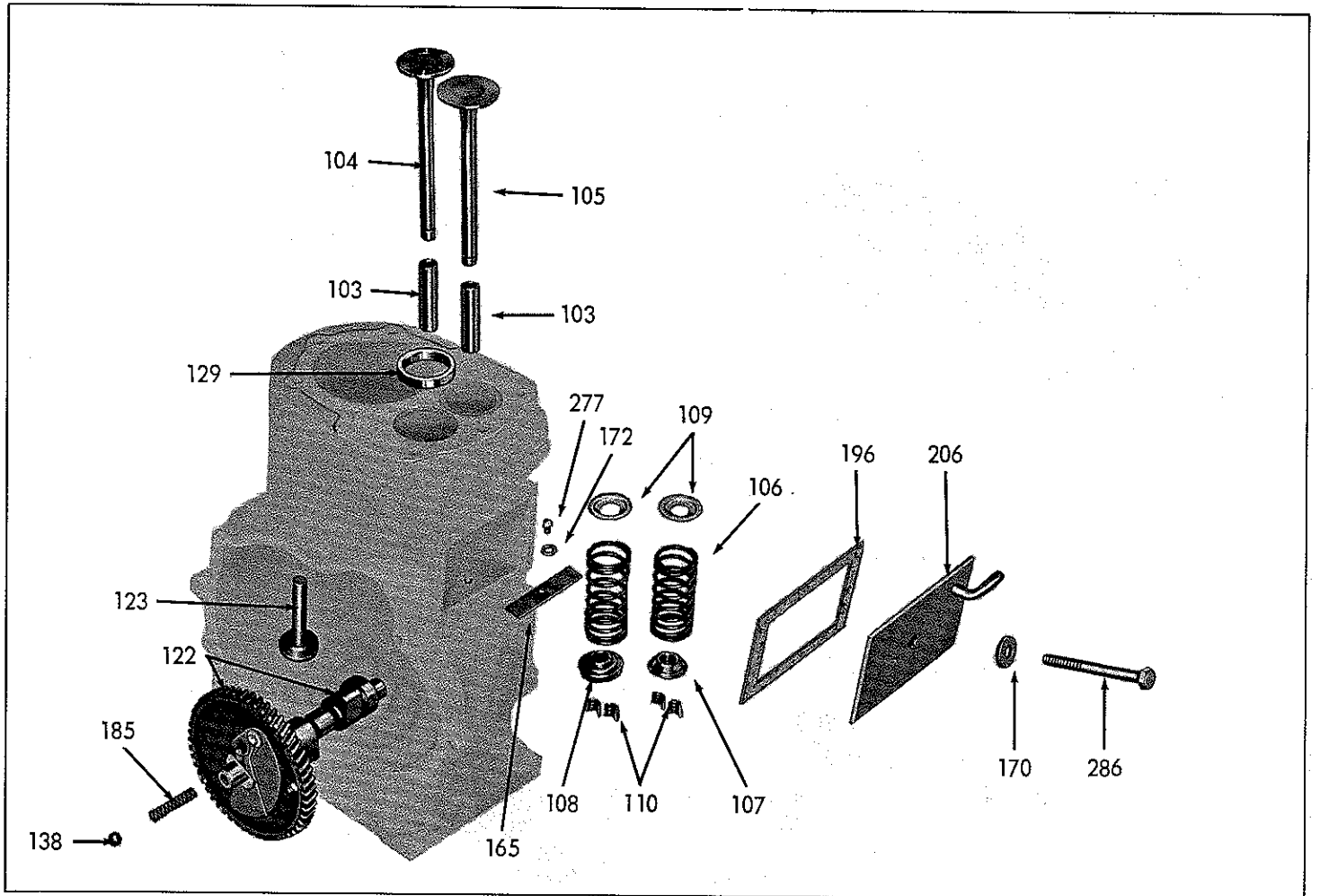
290651C



GEAR COVER, CRANKSHAFT, PISTON, CONNECTING ROD and FUEL PUMP GROUP

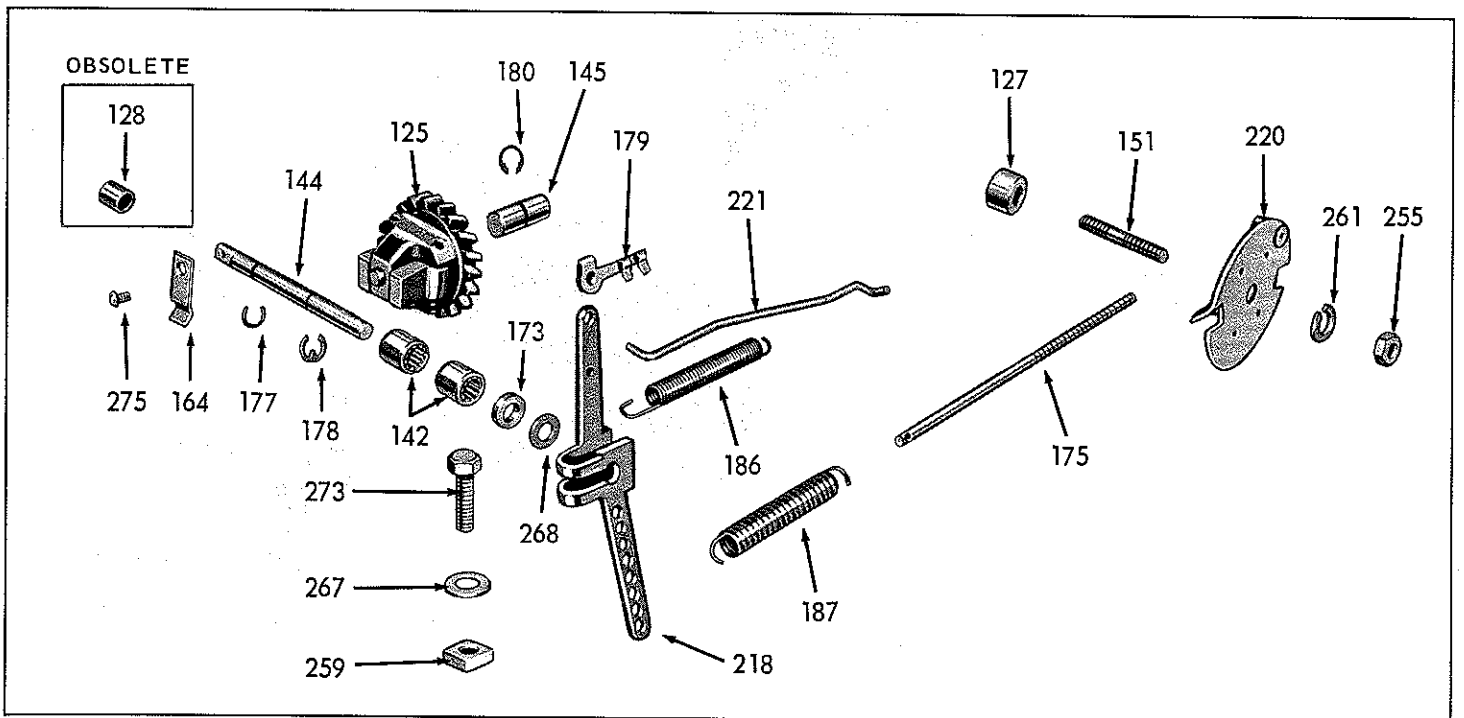
Parts are identified by reference number. See parts list for correct part number.

303972C



VALVES and CAMSHAFT GROUP

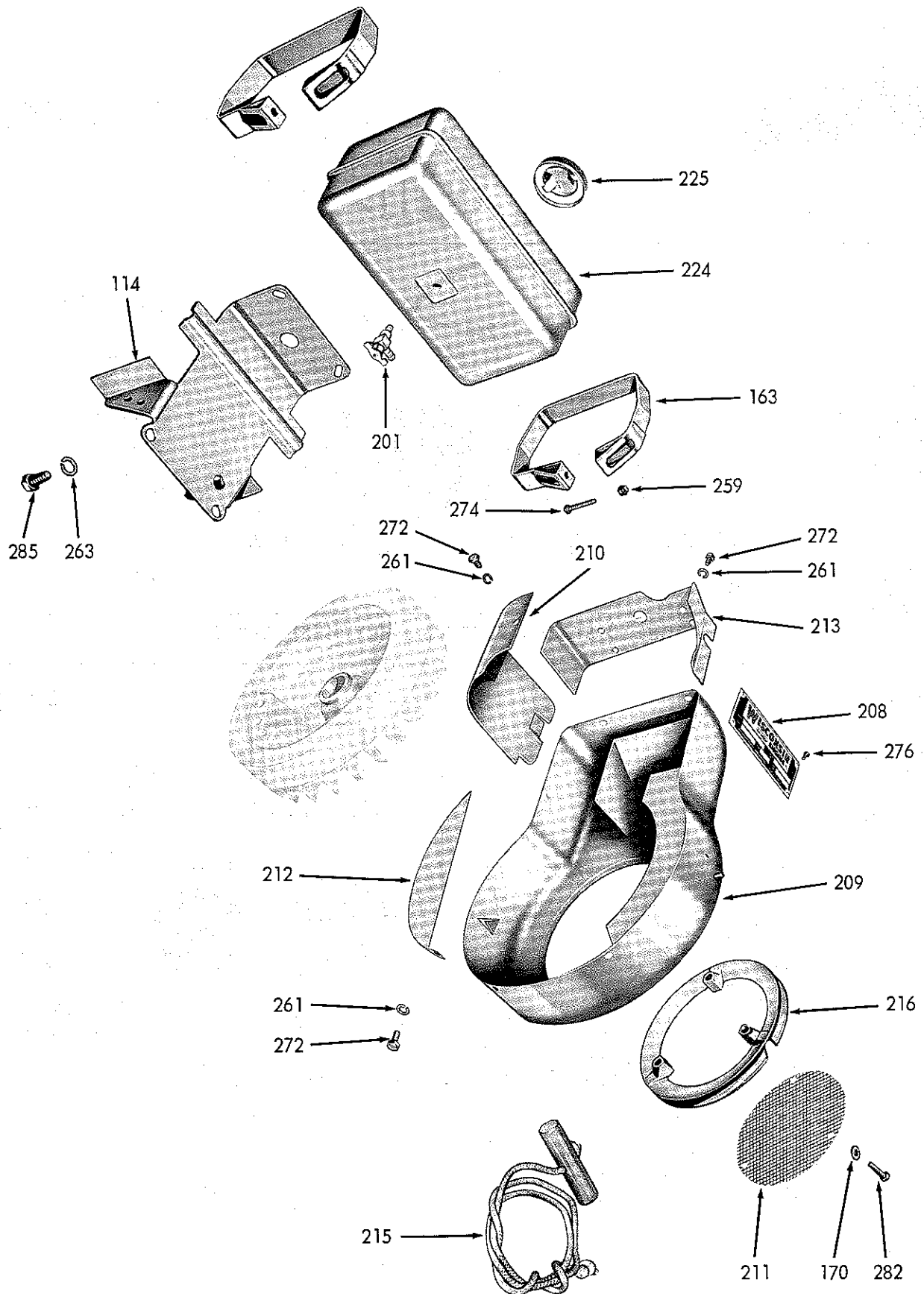
285307C-A



GOVERNOR ASSEMBLY

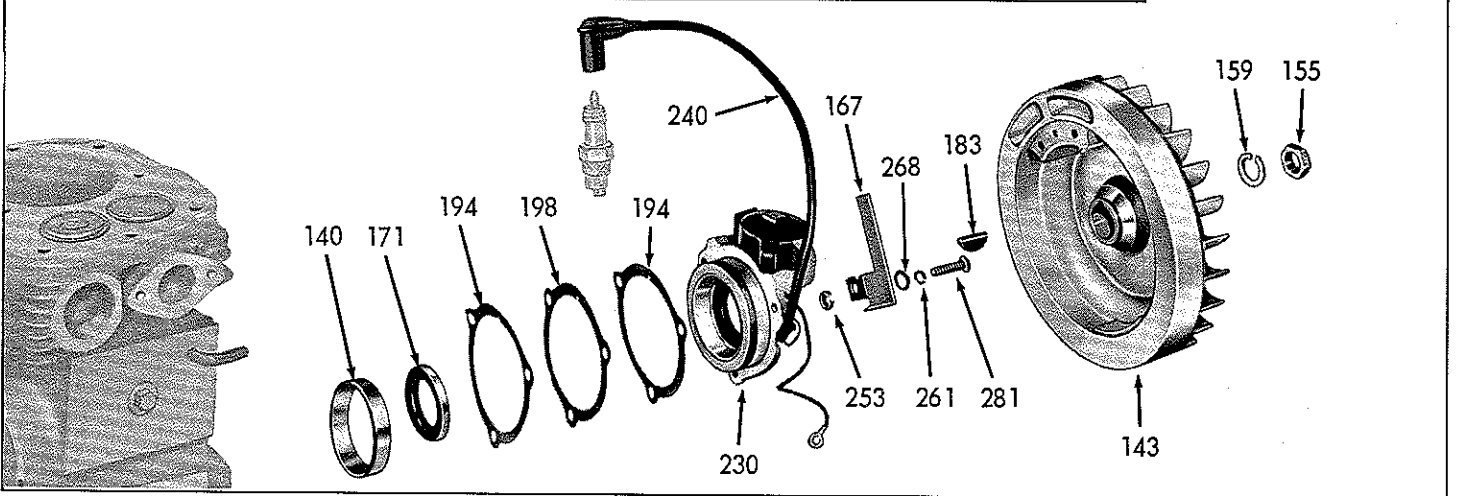
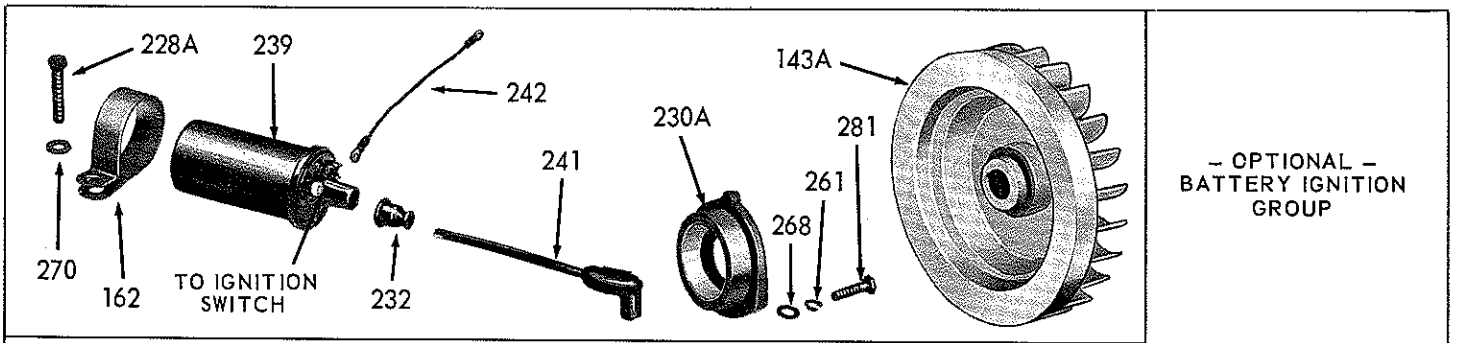
291042C-1

Parts are identified by reference number. See parts list for correct part number.



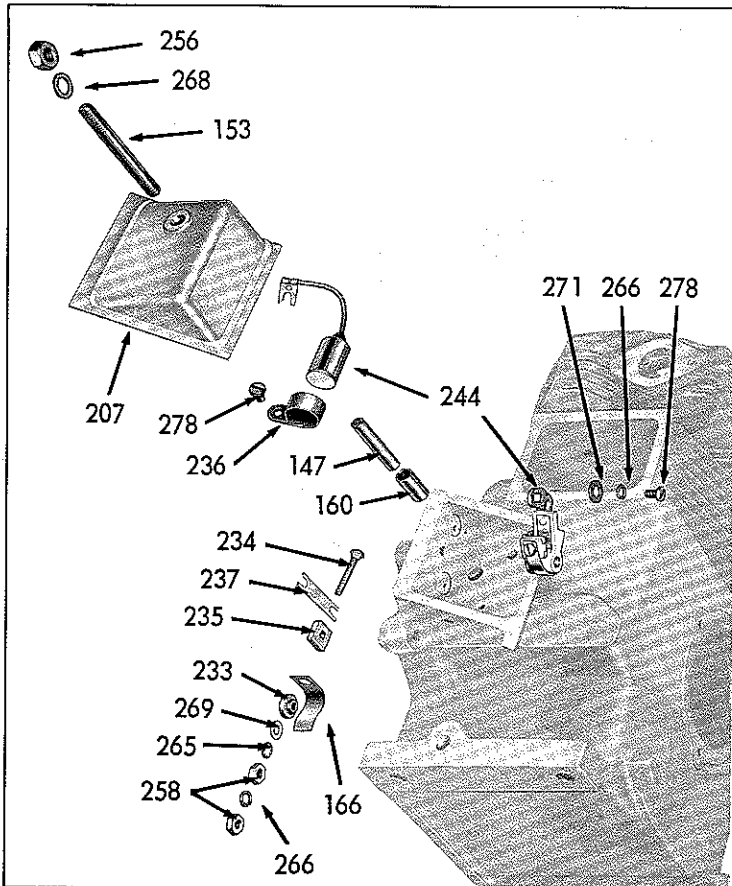
AIR SHROUDING and FUEL TANK GROUP

Parts are identified by reference number. See parts list for correct part number.



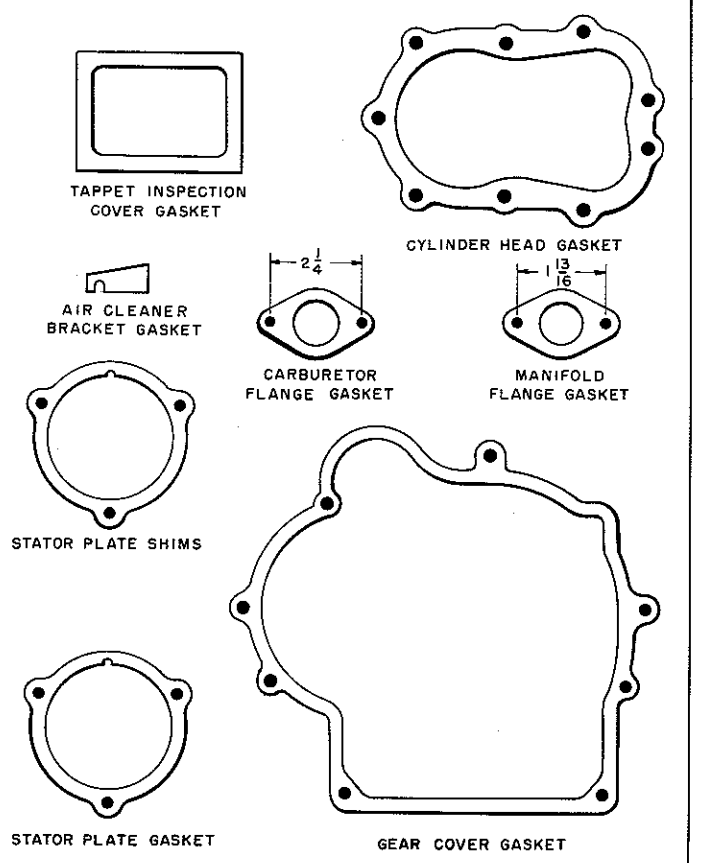
MAGNETO STATOR PLATE and FLYWHEEL GROUP

303973C



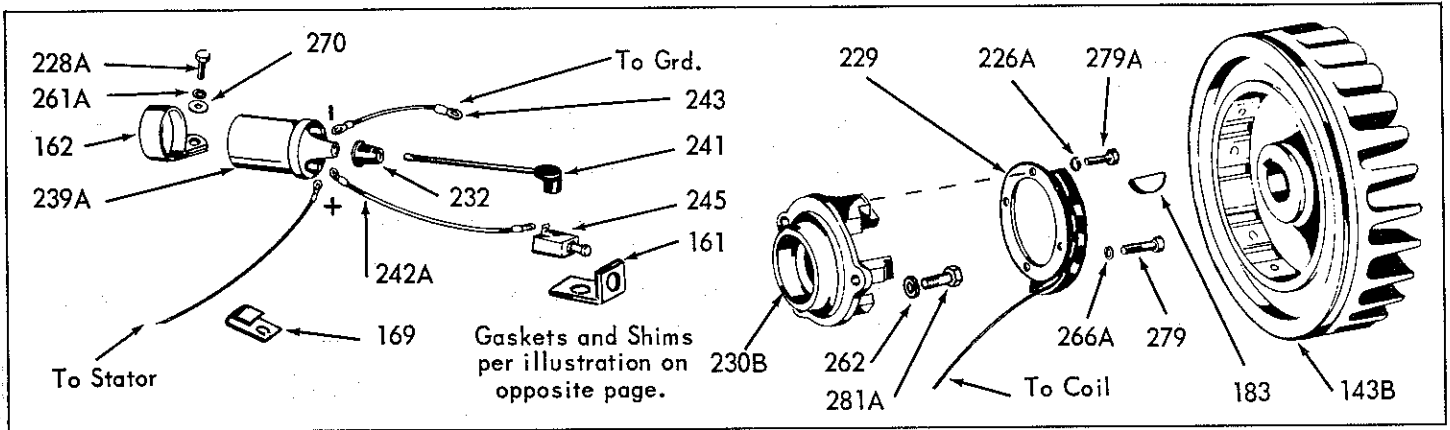
BREAKER POINT GROUP

285306C

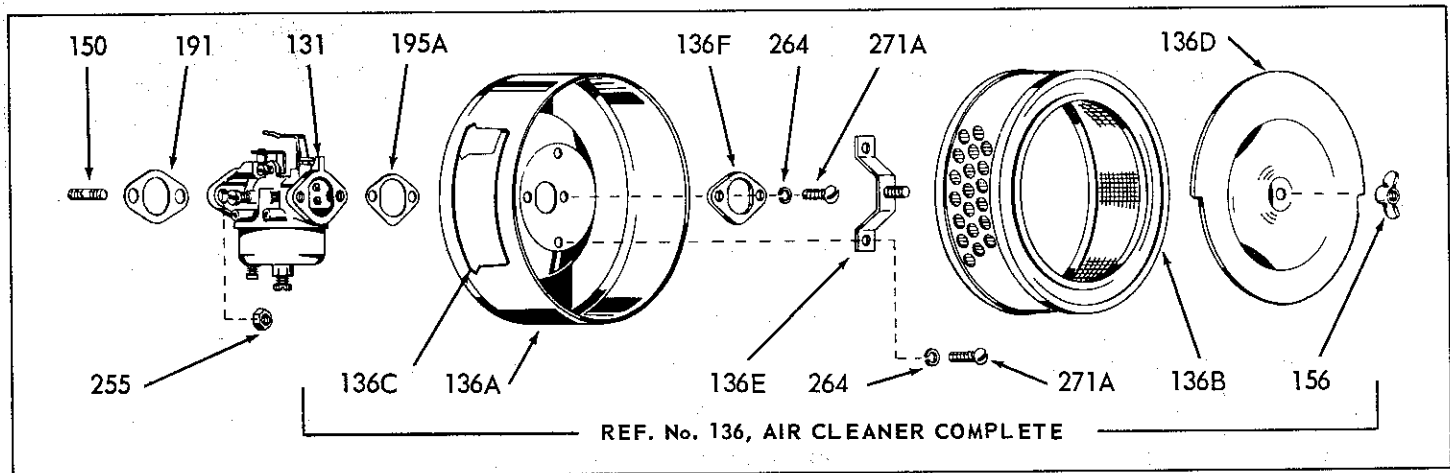


Ref. No. 190, GASKET SET

Parts are identified by reference number. See parts list for correct part number.



SOLID STATE IGNITION GROUP for model TRA-12D



WALBRO CARBURETOR and AIR CLEANER GROUP for model TRA-12D

SERVICE PARTS LIST for Models TRA-10D, TR-10D and TRA-12D
NON-INTERCHANGEABLE PARTS

Ref. No.	Part Number			Description	No. Req.	Net Weight	
	Model TRA-10D	Model TR-10D	Model TRA-12D			Lbs.	Oz.
89	AB-112A-1	AB-112-A	AB-118	CYLINDER HEAD	1	2	12
90	CA-84-etc.	CA-82-etc.	CA-84-etc.	CRANKSHAFT ASSEMBLY Includes: 1 GA-45 Gear 2 ME-170 Bearings 1 PL-21 Key	1	9	8
				NOTE: The standard and basic engine crankshaft part number, as listed in part number column, can be identified by raised letters on the side of the counter-weight. Dash numbers are added to the basic part number to identify special machining at the take-off end. The dash (-) number will be found stamped on the cheek facing the flywheel end of the shaft, as illustrated in Fig. A. Order by complete part number, (dash number added to basic number), and by giving Model, Specification and Serial Numbers of the engine.			
91	DA-83-S1	DA-83A-S1	DA-83-S1	CONNECTING ROD ASSEMBLY, standard size DA-81-S1, DA-80-S1, DA-77-S1 (TRA-10D, TRA-12D) repl'd. by DA-83-S1. DA-81A-S1, DA-80A-S1, DA-73C-4-S1 (TR-10D) replaced by DA-83A-S1. NOTE: Connecting rods also furnished .010", .020" and .030" undersize.	1		7½
93	DB-230-1	DB-230	DB-234	PISTON, standard size (cam ground) Also furnished .010", .020", .030" oversize.	1		8

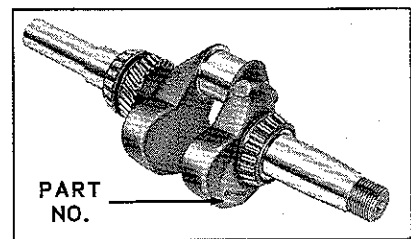
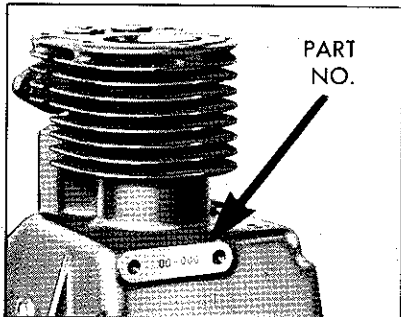


Fig. A 290652C

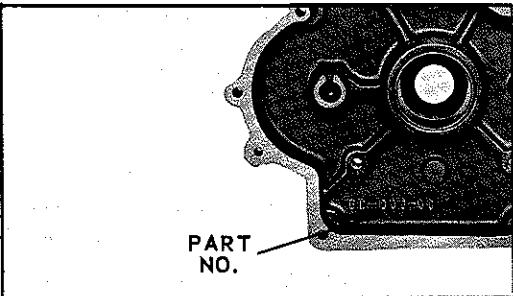
IMPORTANT: Always give Model, Specification and Serial Numbers as shown on name plate.

NON-INTERCHANGEABLE PARTS - Models TRA-10D, TR-10D and TRA-12D

Ref. No.	Part Number			Description	No. Req.	Net Weight	
	Model TRA-10D	Model TR-10D	Model TRA-12D			Lbs.	Oz.
94	PE-114	PE-114	PE-114	SCREW LOCK for connecting rod PE-46 5/16" external tooth lockwasher, replaced by PE-114.	2		1
98	XD-20	XD-20	XD-20	SCREW (special hardness) for connecting rod 5/16"-18 x 1-3/8"lg.hex.hd. XD-22 (1-3/4" long) for obsolete DA-73C-4-S1 rod.	2		1
101	AA-107-etc.	AA-107-etc.	AA-113A-etc.	CYLINDER-CRANKCASE ASSEMBLY complete with valves, springs, seats, locks, insert, guides, cover, governor pin, breather and plug.	1	29	
<p>NOTE: The basic and standard cylinder-crankcase part number is AA-107 for Models TRA-10D, TR-10D, and AA-113A for Model TRA-12D. Any special machining is indicated by a number stamped on the case, in the location shown in Fig. B. Add this number to the basic cylinder-crankcase part number. The further addition of an S1, specifies the cylinder-crankcase is complete with valves, springs, seats and etc. Order by this number and by giving the Model, Specification and Serial numbers of the engine.</p> <p>AA-113-etc. cyl-crankcase for TRA-12D previous to engine serial No. 5082396. Replaced by AA-113A-etc. (includes inlet valve with larger valve head).</p>							
							
				Fig. B	90845C		
114	BK-120-B	BK-120-B	BK-125	FUEL TANK BRACKET only (standard)	1	2	4
			BK-120-B	Optionally furnished (low tank mounting). BK-120, replaced by BK-120-B.			
	BK-120B-S1	BK-120B-S1	BK-125-S1	TANK-BRACKET assembly with strapping		4	8
116	DR-54-A	DR-54-A	DR-62	PISTON RING SET, standard size	1		6
				Consisting of:			
117	DC-347	DC-347	DC-340	COMPRESSION RING, top groove	1		
118	DC-315	DC-315	DC-339	SCRAPER RING, 2nd groove	1		
119	DC-316	DC-316	DC-327	OIL RING, 3rd groove	1		
120	DC-317	DC-317	DC-328	EXPANDER for oil ring	1		
	DR-55	DR-55	DR-59	TRI CROME RE-RING SET, standard size			8
				All ring sets are available .010", .020", .030" oversize.			
121	DE-65	DE-65	DE-79	PISTON PIN	1		3
131	L-63AN-S1 (Std.)	L-63AN-S1 (Std.)	L-63AN-S1	CARBURETOR, Zenith No. 12982 (optionally furnished on TRA-12D)	1	1	12
	LQ-33	LQ-33	L-97-S1 (Std.)	CARBURETOR, Walbro No. LME-35	1	1	
			LQ-48	CARBURETOR REPAIR KIT			3
<p>NOTE: Refer to stamped part number on carburetor for replacement carburetor or parts. See carburetor bulletins in rear of manual for service replacement parts and instructions.</p>							
136	LO-173	LO-173	LO-194	AIR CLEANER, complete	1	1	
				Consisting of:			
136A	LO-173-A *	LO-173-A	LO-194-D	HOUSING	1		6
136B	LO-173-B *	LO-173-B	LO-194-A	ELEMENT	1		3
136C	SD-276	SD-276	SD-308	INSTRUCTION DECAL	1		1
136D			LO-194-C	COVER	1		3
136E			LO-194-E	BRACKET	1		1
136F			QF-119	SPACER	1		1
143	N209A1	N109A1	N-106	FLYWHEEL with magnet ring for solid state ignition	1	13	8
	N109A1S1	N109A1S1		FLYWHEEL for Wico magneto	1	11	10
			N109A1S2	FLYWHEEL for Fairbanks magneto engine		9	4
<p>NOTE: Flywheels for Fairbanks-Morse and Wico magnetos are not interchangeable with each other, unless the corresponding manufacturers coil-stator plate, (Ref. 230) is used.</p>							
143A	NC-202-2	NC-202-2	NC-202-2	FLYWHEEL (cast iron) for battery ignition engines		13	
190	Q-37-A	Q-37-A	Q-42	ENGINE GASKET SET	1		8
			Q-43	GASKET SET for bearing plate (1 QF-121, 2 QD-848-2, 2 QD-848A).			
-	T-108-A	T-108-A	T-112	GOVERNOR ASSEMBLY complete (Page 28)	1	1	
			T-112-A	GOVERNOR (special) with ZENITH carburetor.			

* LO-175-B element (4" dia.), and SA-137 cap (in place of LO-173-A), optionally used on TRA-12D with ZENITH carburetor.

PARTS INTERCHANGEABLE for Models TRA-10D, TR-10D and TRA-12D, except where noted.

Ref. No.	Part Number	Description	No.			Net Wt.			Ref. No.	Part Number	Description	No.			Net Wt.		
			Req	Lb	Oz	Req	Lb	Oz				Req	Lb	Oz	Req	Lb	Oz
103	AD-41-E	VALVE STEM GUIDE, inlet and exhaust	2		1			123	FA-47	VALVE TAPPET	2			2			
104	AE-74-D	EXHAUST VALVE (long life) standard in models TRA-10D, TR-10D. Optionally furnished in TRA-12D.	1		4			124	GA-45	CRANKSHAFT GEAR	1			5			
	AE-74-C	Standard in model TRA-12D	1		4			125	GD-146-A	GOV. GEAR and FLYWEIGHT assembly GD-137F, replaced by GD-146-A.	1			4			
105	AE-96	INLET VALVE (1-3/8" head dia.) For TRA-10D, TR-10D and previous to serial No. 5082396 in TRA-12D.	1		4					GD-137-E Assembly (not available), used on TR-10D engines to and including serial No. 3909151. For replacement of obsolete GD-137-E, use GD-146A-53 Service Kit.							
	AE-104	INLET VALVE (1-2/2" head dia.) For TRA-12D beginning with engine serial No. 5082396.	1		4			127	HF-52	SPACER for governor control disc	1			1			
106	AF-43-B	VALVE SPRING, inlet and exhaust	2		2			128	HF-426	SPACER for governor fulcrum shaft (Obsolete) used in TR-10D engines previous to serial No. 3909152. Replace with PK-135 Retaining Ring and PA-395-C Fulcrum Shaft.	1			1			
107	AG-26	SEAT for valve spring, inlet Inlet and exhaust in model TRA-12D	1		1			129	HG-201-D	VALVE SEAT INSERT (long life) exh. Standard in models TRA-10D, TR-10D. Optionally furnished in TRA-12D.	1			1			
108	AG-31	ROTO-CAP and SEAT for exhaust valve Standard in models TRA-10D, TR-10D. Optionally furnished in TRA-12D when using AE-74D valve.	1		1				HG-214	EXH. INSERT, std. in model TRA-12D	1			1			
109	AG-34-A	VALVE SPRING LOCATING CUP	2		1			131		CARBURETOR -- See Page 32.							
110	AH-9	LOCK for valve spring seat	4		1			132	LC-281	INTAKE MANIFOLD, TRA-10D, TR-10D For TRA-12D with ZENITH carburetor.	1			14			
112	See Fig. C	GEAR COVER ASSEMBLY Includes: 1 ME-170-1 Brq. cup 1 PH-529 Oil seal 1 PH-568 Oil seal 2 ME-152 Bearings, for TRA-10D, TR-10D.	1	7	6			133	LJ-158	PIPE NIPPLE, 1" x 3" long For muffler mounting.	1			6			
		NOTE: The standard gear cover part number is BD-111F-9 for models TRA-10D, TR-10D and BD-111-F for model TRA-12D. Any special machining would be indicated by a number stamped behind the basic BD-111-F cast part number. See Fig. C.						133A	LJ-452-A	Optional 45° PIPE NIPPLE, 1" x 7" long				12			
									XK-140	MUFFLER ELBOW (long) cast				13			
									XK-140-1	MUFFLER ELBOW (short) cast				8			
								134	LL-178-4	HOSE for breather, TRA-10D, TR-10D	1			1			
									LL-178-A	HOSE, 2-5/8" long, for TRA-12D (std.)	1			1			
									LL-178-B	HOSE, 3-1/2" long, for model TRA-12D with ZENITH carburetor	1			1			
								135	LL-178-14	HOSE for fuel line, TRA-10D, TR-10D	1			2			
									LL-178-16	FUEL LINE for model TRA-12D	1			2			
								-	LK-30	HOSE CLAMP for fuel line (not illust.)	2			1			
								136		AIR CLEANER -- See Page 32.							
								138	ME-37	STEEL BALL for camshaft, 3/8" dia.	1			1			
								139	ME-170	MAIN BEARING ASSEMBLY Consisting of:	2			8			
								140		1 ME-170-1 Bearing cup *							
								141		1 ME-170-2 Bearing cone *							
										* Not sold separately.							
								142	ME-152	NEEDLE BEARING for governor fulcrum shaft -- models TRA-10D, TR-10D	2			1			
								143		FLYWHEEL -- See Page 32.							
								143A									
								144	PA-395-C	FULCRUM SHAFT for needle brg. gov. (.250 dia.) models TRA-10D, TR-10D	1			2			
									PA-395-B	(.246 dia.) for model TRA-12D	1			2			
								145	PA-396-A	SHAFT for governor gear	1			1			
								146	PA-425	DOWEL PIN for gear cover	2			1			
113	BI-375-C-S1	AIR CLEANER BRACKET ASSEMBLY For models TRA-10D, TR-10D. Optionally furnished on TRA-12D. Includes: LL-178-4 Hose PE-3 Washer PE-160 Screw PG-1156 Brace PC-598 Stud QD-647 Gasket PD-147 Nut XD-8 Screw BI-375-A-S1, replaced by BI-375C-S1.	1		1												
114	Refer to Page 32																
121																	
122	EA-130-C	CAMSHAFT ASSEMBLY, includes gear and compression release PM-232 Torsion spring for compression release flyweight EA-123-B Camshaft (less compression release) for Model TR-10D. For replacement use EA-130-A.	1	1	14												

Order parts from nearest **WISCONSIN DISTRIBUTOR** or **SERVICE CENTER.**

IMPORTANT: Always give Model, Specification and Serial Numbers as shown on name plate.

PARTS INTERCHANGEABLE for Models TRA-10D, TR-10D and TRA-12D, except where noted.

Ref. No.	Part Number	Description	No. Req.	Net Wt.		Ref. No.	Part Number	Description	No. Req.	Net Wt.	
				Lb	Oz					Lb	Oz
147	PA-428L-S1	PUSH PIN and SPRING ASSEMBLY For breaker points. Field replacement for PA-428-L (standard engine part). Used in models TRA-10D, TR-10D . PA-428E, PA-428K-S1, replaced by PA-428L-S1.	1		1	175	PI-217-1 PI-217-4 PI-217-5 PI-217-3	ADJUSTING SCREW for governor spring 5" long, 3000 to 3600 R.P.M. (TRA-10D) 5 1/2" long, 3000 to 3600 R.P.M. (TRA-12D) 3-5/8" long, thru 2900 R.P.M. (TRA-10D) 5-5/8" long, thru 2900 R.P.M. (TRA-12D)	1		1
150	PC-368	STUD for carburetor mounting TRA-12D	2		1	176	PK-52	PISTON PIN RETAINING RING	2		1
151	PC-377	STUD for governor control disc	1		1	177	PK-135	RETAINING RING (inner) for governor lever shaft, on engines beginning with Serial No. 3909152	1		1
152	PC-598	STUD for air cleaner, 8-7/8" long	1		2	178	PK-144	RETAINING RING	1		1
	PC-629	For models TRA-10D, TR-10D . STUD , 9" long, for TRA-12D	1		2		179	PK-177	For governor lever shaft (outer).		
		With L.O-175B element cleaner.				180	PK-167	CLIP for throttle rod mounting	1		1
153	PC-590	STUD , breaker cover, TRA-10D, TR-10D	1		1		182	PK-160, replaced by PK-177.			
155	PD-137	NUT for flywheel mounting	1		1	180	PK-167	SNAP RING for governor gear beginning with Engine No. 3909152	1		1
156	PD-147	WING NUT for air cleaner mounting	1		1	182	PL-21	WOODRUFF KEY , No. 3	1		1
157	PD-204	LOCKNUT for muffler elbow	1		1		183	PL-47	For crank shaft gear mounting.		
159	PE-58	LOCKWASHER for flywheel mounting ...	1		1	183	PL-47	WOODRUFF KEY , No. 18	1		1
160	PF-157	BREAKER BUSHING Ream .2785 - .2790 after assembly. For models TRA-10D, TR-10D .	1		3	185	PM-108	For flywheel mounting.			
161	PG-959-1	BRACKET for grd. switch, TRA-12D	1		2	186	PM-61-A	SPRING for camshaft thrust	1		1
162	PG-556	STRAP for battery ignition or breaker-less ignition coil	1		4	187	PM-200-A	IDLE RETURN SPRING (90 coils)	1		1
163	PG-1201	FUEL TANK STRAP PG-733, replaced by PG-1201. NOTE: Steel Binder Strapping and Seal for mounting fuel tank on engines sent out from the factory are not serviceable in the field. Order 2 PG-1201 straps with 2 ea. XA-69 screws and PD-239 nuts.	2		6		or PM-166	For models TRA-10D, TR-10D . For TRA-12D with ZENITH carburetor.			
164	PG-1019-A	GOVERNOR VANE	1		1	190		GOVERNOR SPRING (47 coils) for speeds 3000 to 3600 R.P.M. (TRA-10D). For all speeds, model TRA-12D	1		1
165	PG-1073	REED for crankcase breather	1		1			(88 coils) to and including 2900 R.P.M. load (TRA-10D, TR-10D)			1
166	PG-1132	GROUND CLIP for TRA-10D, TR-10D ..	1		1			PM-142 (54 coils) for TR-10D engines previous to Serial No. 3909152			1
167	PG-1144-2 PG-1144-A	CLIP for ign. wires and fuel line support CLIP for model TRA-12D	1 1		3 3	191	QC-53	ENGINE GASKET SET , See Page 32.			
		PG-1144-4, replaced by PG-1144-A.				192	QC-71	GASKET , manifold flange, TRA-10D, TR-10D . Carburetor flange, TRA-12D	1		1
168	PG-1156	BRACE for air cleaner bracket, on models TRA-10D, TR-10D	1		1	193	QD-798-A	GASKET , carburetor flange, TRA-10D, TR-10D , and for TRA-12D with ZENITH carburetor	1		1
		For TRA-12D with ZENITH carburetor.				194	QD-848	GASKET for gear cover	1		1
169	PG-1255	CLIP for stator wire, TRA-12D	1		1		QD-848-A	GASKET for either stator plate or bearing plate, .003 - .004" thick	*		1
170	PH-442	WASHER (rubber faced)	1		1			QD-799A, replaced by QD-848.			
170	PH-196	WASHER , 1/4" plain steel	3		1			GASKET , .006 - .007" thick	*		1
		For valve inspection cover. For starter sheave mounting. (Replaces PH-442 rubber faced washer)				195	QD-647	* Use as required with QF-121 Shims to give .001 to .004" crankshaft end play. 2 and 3 furnished in gasket set.			
171	PH-529	OIL SEAL for crank shaft	2		2	195A	QD-849	GASKET , air cleaner bracket clamp	1		1
		1-in gear cover. 1-in stator plate.						For models TRA-10D, TR-10D .			
172	PH-546	SPRING WASHER for breather reed	1		1	196	QD-801	GASKET , air cleaner to carburetor	1		1
173	PH-568	OIL SEAL for governor lever shaft	1		1			For model TRA-12D .			
						197	QD-825	GASKET for tappet inspection cover	1		1
							QD-850	GASKET , cylinder head, TRA-10D, TR-10D	1		1
								For model TRA-12D	1		1

**Order parts from nearest WISCONSIN DISTRIBUTOR or SERVICE CENTER.
IMPORTANT: Always give Model, Specification and Serial Numbers as shown on name plate.**

PARTS INTERCHANGEABLE for Models TRA-10D, TR-10D and TRA-12D, except where noted.

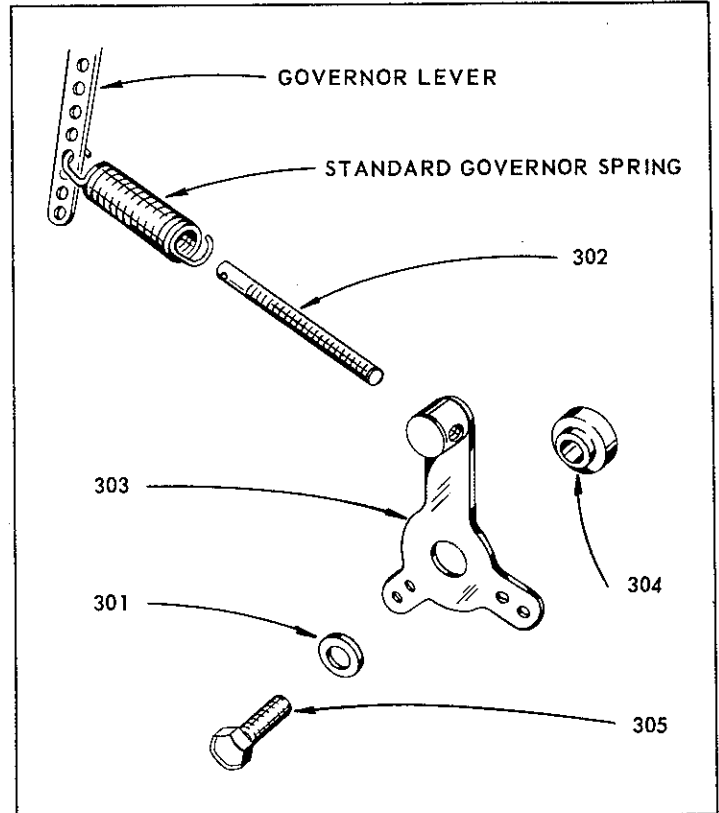
Ref. No.	Part Number	Description	No. Req.	Net Wt.		Ref. No.	Part Number	Description	No. Req.	Net Wt.	
				Lb	Oz					Lb	Oz
239	YF-38-A	COIL (12 volt) for battery ignition	1	1	6	258	PD-153-2	NUT, No. 8-32, hexagon steel	2		1
239A	YF-37	COIL for breakerless ign., TRA-12D	1	1	6			For stud, TRA-10D, TR-10D.			
240	YL-339B-20	HIGH TENSION LEAD for magneto coil	1		2	259	PD-239	NUT, 1/4"-20 thread, square steel	3		1
241	YL-339-6	HIGH TENSION LEAD for battery or breakerless ignition coil	1		2			1-for governor lever clamp.			
	YL-339-14	For TRA-12D with remote coil mounting	1		3	261	PE-3	LOCKWASHER, 1/4" spring lock	23		1
242	YL-352-16	IGNITION WIRE, breaker box to battery ignition coil, TRA-10D, TR-10D	1		1			6-for gear cover to crankcase.			
242A	YL-352-5	IGNITION WIRE, coil to switch, TRA-12D	1		1			1-for air cleaner brkt. TRA-10D, TR-10D.			
243	YL-355-8	IGNITION WIRE, coil to grd., TRA-12D	1		1			5-for shrouding.			
244	YQ-12	POINTS and CONDENSER KIT for models TRA-10D, TR-10D	1		4	262	PE-4	1-for governor control disc.			
		Consisting of:						2-for fuel pump mounting.			
		1 YD-314-A Point set						2-for mt'g. manifold, TRA-10D, TR-10D.			
		1 YD-315 Condenser						3-for stator plate, TRA-10D, TR-10D.			
		1 YD-326 Terminal strip						3-for starter sheave (not illust.)			
		1 YD-339 Condenser clip				263	PE-5	LOCKWASHER, 5/16" spring lock	5		1
245	YC-9-F-51	GROUND SWITCH ASSEMBLY for battery or solid state ignition	1		2			2-for carburetor, TRA-10D, TR-10D.			
		Includes: SD-109 Tag, PE-72 L.W.				264	PE-14	LOCKWASHER, 3/8" spring lock	2		1
		FUEL PUMP MOUNTING (Not part of standard engine)						For mounting fuel tank bracket.			
246	LL-178-9	FUEL LINE, pump to carburetor	1		1	265	PE-72	LOCKWASHER, No. 10, for TRA-12D ..	4		1
	LL-178-18	FUEL LINE, pump to tank	1		1			2-for air cleaner housing to carburetor.			
247	LP-62G-S1	FUEL PUMP for engines beginning with serial No.	1		10	266	PE-89	2-for air cleaner bracket to housing.			
		LQ-51 Repair Kit for LP-62G-S1	1		4			LOCKWASHER, No. 8 internal	1		1
		LP-42N-S1, replaced by LP-62G-S1.						For ground clip, TRA-10D, TR-10D.			
		LQ-28 Repair Kit for LP-42N-S1 pump ..	1		4	266A	PE-113	LOCKWASHER, No. 8, TRA-10D, TR-10D	2		1
		NOTE: Refer to fuel pump bulletin in rear of manual for maintenance and repair.						1-for ground clip.			
248	QD-670	FLANGE GASKET	1		1			1-for breaker point bracket.			
249	RF-269	STRAIGHT FITTING for fuel inlet	1		1	267	PH-27-A	LOCKWASHER, No. 10 internal tooth for mounting stator plate, TRA-12D	4		1
		Models TRA-10D, TR-10D.						PLAIN WASHER, 1/4" I.D. x 9/16" O.D. For governor lever clamp screw.	1		1
250	RF-1439	ELBOW to pump outlet	1		1	268	PH-30-A	PLAIN WASHER, 1/4" steel	5		1
		Inlet and outlet - model TRA-12D.						3-for coil-stator plate, TRA-10D, TR-10D			
		STANDARD HARDWARE						1-for breaker cover, TRA-10D, TR-10D.			
253	HF-390	SPACER, 9/32" I.D. x 5/8" O.D. x 1/8" For F.M. stator plate ignition wire clip.	1		1	269	PH-86-B	1-for governor fulcrum shaft.			
254	PB-160	SCREW, 1/4"-28 thread x 1/2" long, hex. hd. For air cleaner brkt. TRA-10D, TR-10D.	1		1			PLAIN WASHER, 11/64" I.D. x 3/8" O.D. For ground stud, TRA-10D, TR-10D.	1		1
255	PD-9	NUT, 1/4"-28 thread, hexagon steel 1-for governor control disc stud. 2-for carburetor mounting, TRA-12D.	3		1	270	PH-209-B	PLAIN WASHER, 5/16" steel	9		1
256	PD-77	NUT, 1/4"-20 thread, hexagon steel For breaker cover, TRA-10D, TR-10D.	1		1			For cylinder head mounting.			
						271	PH-236	PLAIN WASHER, 13/64" I.D. x 1/2" O.D. For brk'r. point brkt., TRA-10D, TR-10D.	1		1
						271A	XA-7	SCREW, No. 10-32 thread x 3/8" long round head, for TRA-12D	4		1
								2-for air cleaner housing to carburetor.			
								2-for air cleaner bracket to housing.			
						272	XA-34	SCREW, 1/4"-20 x 1/2" long, hex. head 2-for flywheel shroud to crankcase. 2-for flywheel shroud to cylinder head. 1-for cylinder side shroud to crankcase.	5		1
						273	XA-36	SCREW, 1/4"-20 thread x 3/4" long indented hexagon head	1		1
								For governor lever clamp.			

Order parts from nearest **WISCONSIN DISTRIBUTOR** or **SERVICE CENTER**.
IMPORTANT: Always give Model, Specification and Serial Numbers as shown on name plate.

PARTS INTERCHANGEABLE for Models TRA-10D, TR-10D and TRA-12D, except where noted.

Ref. No.	Part Number	Description	No. Req.	Net Wt.	
				Lb	Oz
273	XB-112	SCREW, 1/4"-20 thread x 3/4" long, cap counterbore type For manifold mtg. TRA-10D, TR-10D. For TRA-12D with ZENITH carburetor.	2		1
274	XA-69	SCREW, 1/4"-20 x 2" long, round hd. .. For fuel tank service straps.	2		1
275	XA-66	SCREW, No. 5-40 x 1/4" long, round hd. For governor vane to shaft.	1		1
276	XA-67	SCREW, No. 4 x 1/4" long, sheet metal For name plate to shroud.	4		1
277	XA-126	SCREW, No. 8-32 x 1/2" long, pan head For breather reed mounting. XA-80 (5/16" lg.), repl'd by XA-126.	1		1
278	XA-126	SCREW, No. 8-32 x 1/2" long, pan head 1-for breaker point bracket. 1-for condenser mounting. XA-118 (5/16" lg.), repl'd by XA-126.	2		1
279	XB-113	SCREW, No. 10-32 x 3/4" lg., socket hd. For stator plate-wide flange, TRA-12D.	1		1
279A	XB-115	SCREW, No. 10-32 x 1/2" lg., socket hd. For stator plate mtg., TRA-12D.	3		1
280	XD-6	SCREW, 1/4"-20 x 3/4" long, hex. head For mounting fuel pump.	2		1
281	XD-7	SCREW, 1/4"-20 x 1" long, hex. head .. For coil-stator plate or fan end bearing plate mounting, TRA-10D, TR-10D.	3		1
281A	XB-117	SCREW (Special-Nyloc) 5/16"-18 x 7/8" For bearing plate, TRA-12D. XD-17-E, replaced by XD-177.	3		1
282	XD-5	SCREW, 1/4"-20 x 5/8" long, hex. head For UC-203 starting sheave mounting. XD-8 (1-1/4" long) for obsolete UC-184 starting sheave mounting	3		1
282	XD-8	SCREW, 1/4"-20 x 1-1/4" long, hex. hd. For air clean. clamp, TRA-10D, TR-10D.	1		1
283	XD-9	SCREW, 1/4"-20 x 1-1/2" long, hex. hd. For gear cover to crankcase.	6		1
284	XD-16	SCREW, 5/16"-18 x 7/8" long, hex. hd. For mtg. carburetor, TRA-10D, TR-10D.	2		1
285	XD-25	SCREW, 3/8"-16 x 3/4" long, hex. head For mounting fuel tank bracket.	2		1
286	XD-147	SCREW, 1/4"-20 x 2-1/2" long, hex. hd. For valve inspection mounting.	1		1
287	XK-1	PIPE PLUG, 1/8" square head	1		1
		For inlet manifold, TRA-10D, TR-10D.			
288	XK-2	PIPE PLUG, 1/4" square head	1		2
		For oil drain.			

**TT-94-A
VARIABLE SPEED GOVERNOR
CONTROL ASSEMBLY**



Ref. No.	Part Number	Description	No. Req.	Net Wt.	
				Lb	Oz
	TT-94-A	INCLUDES THE FOLLOWING:			
301	PH-84	WASHER, 1/4" I.D. x 1/2" O.D. x 1/16" thick, plain steel For lever mounting screw.	1		1
302	PI-115-B	ADJUSTING SCREW	1		2
303	VB-238-A	CONTROL LEVER ASSEMBLY	1		2
304	VE-570-A	FULCRUM SPACER for control lever ..	1		1
305	XA-35	SCREW, 1/4"-20 thread x 5/8" long, indented hex. head	1		1
		For mounting control lever.			

Order parts from nearest **WISCONSIN DISTRIBUTOR** or **SERVICE CENTER**.

IMPORTANT: Always give Model, Specification and Serial Numbers as shown on name plate.